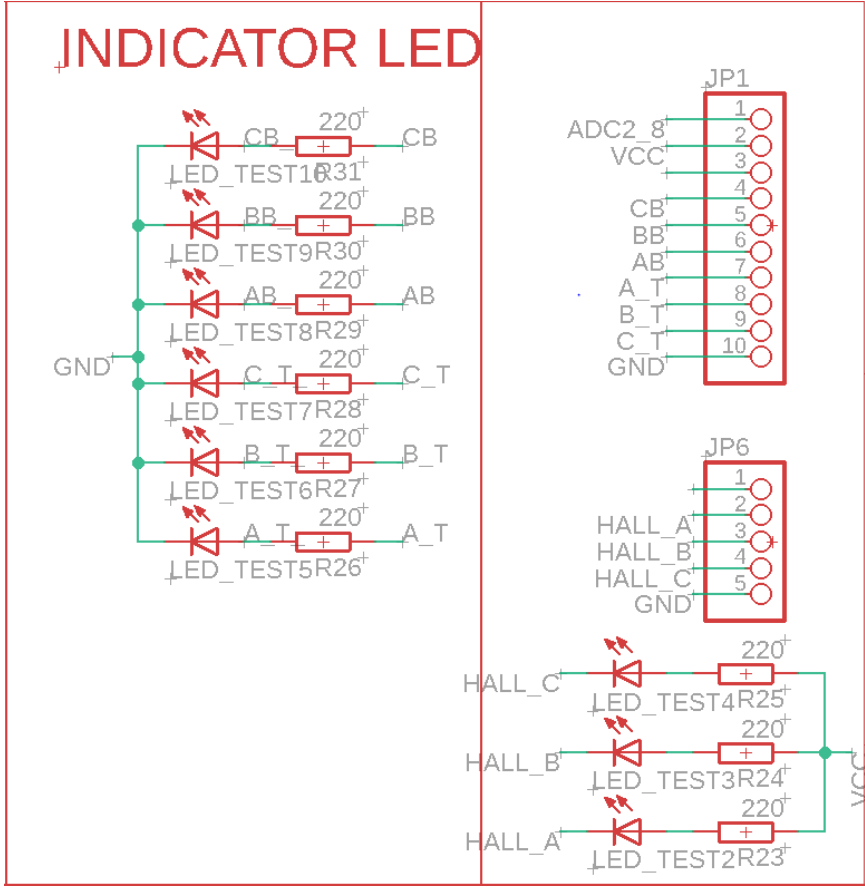
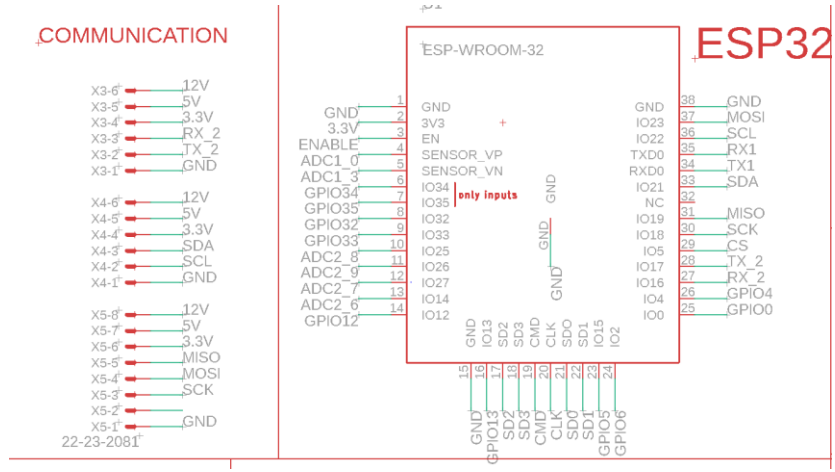
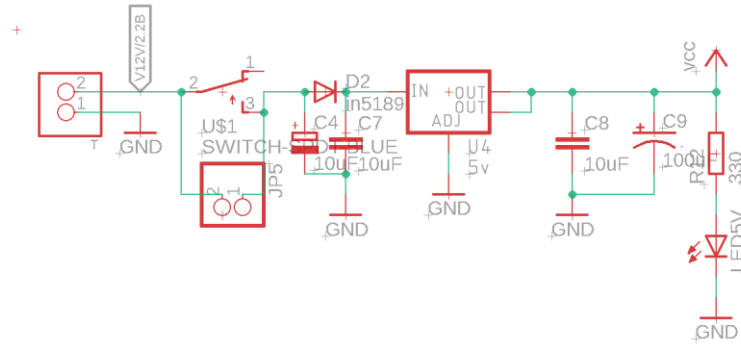


# LAMPIRAN

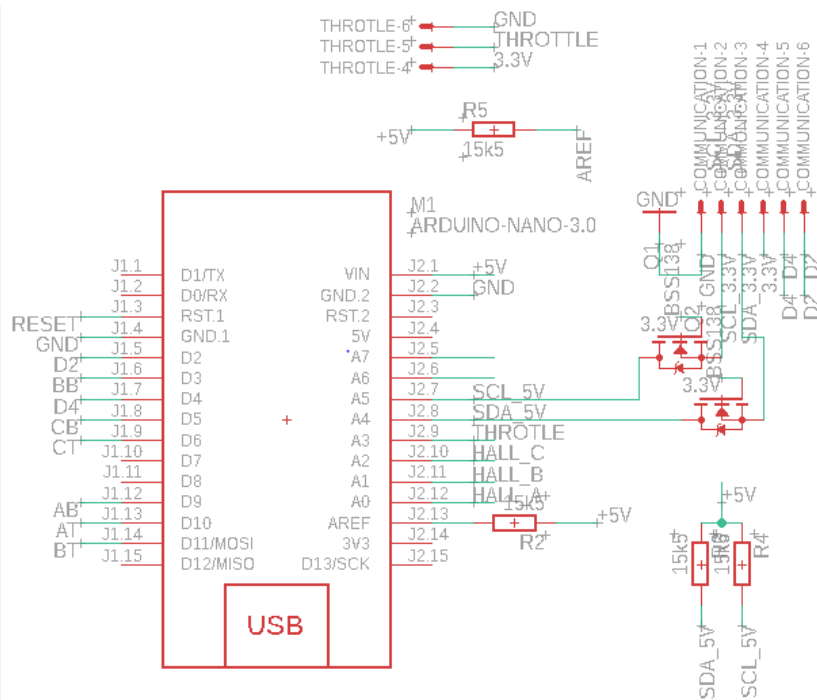
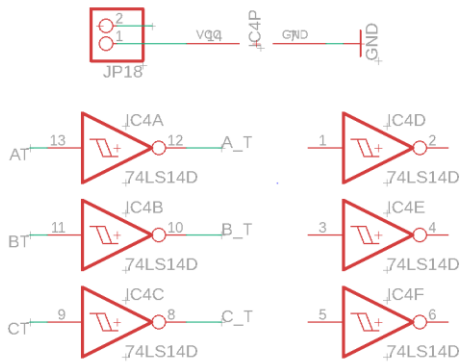
## Rangkaian Skematik Low Voltage



## SUPPLY 5V

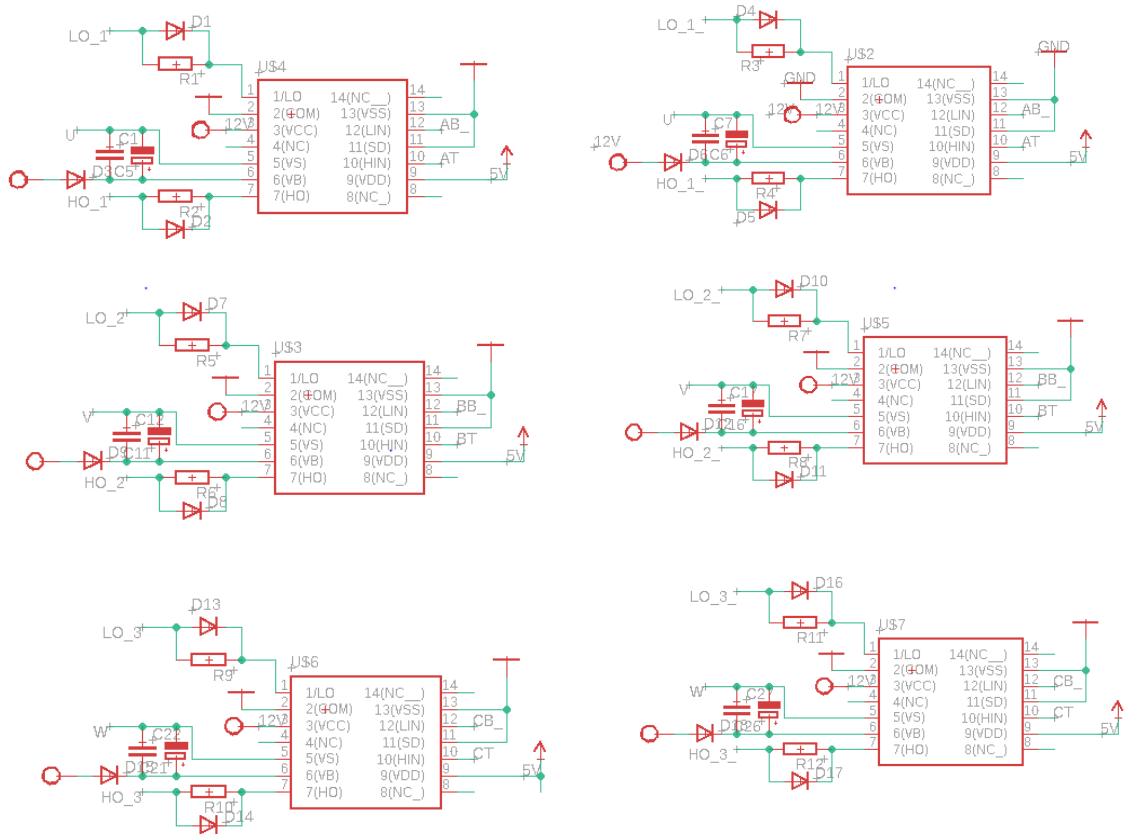


## INVERTING

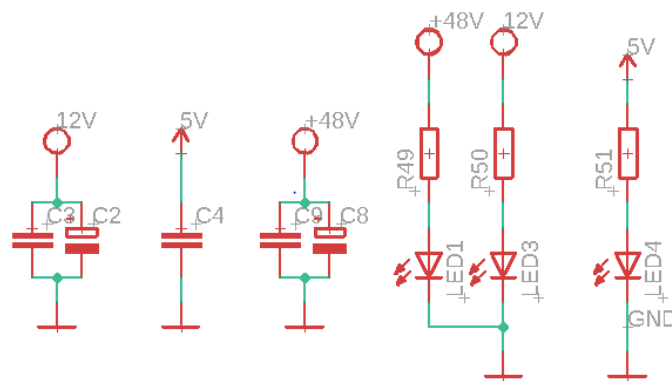


## HIGH VOLTAGE PCB

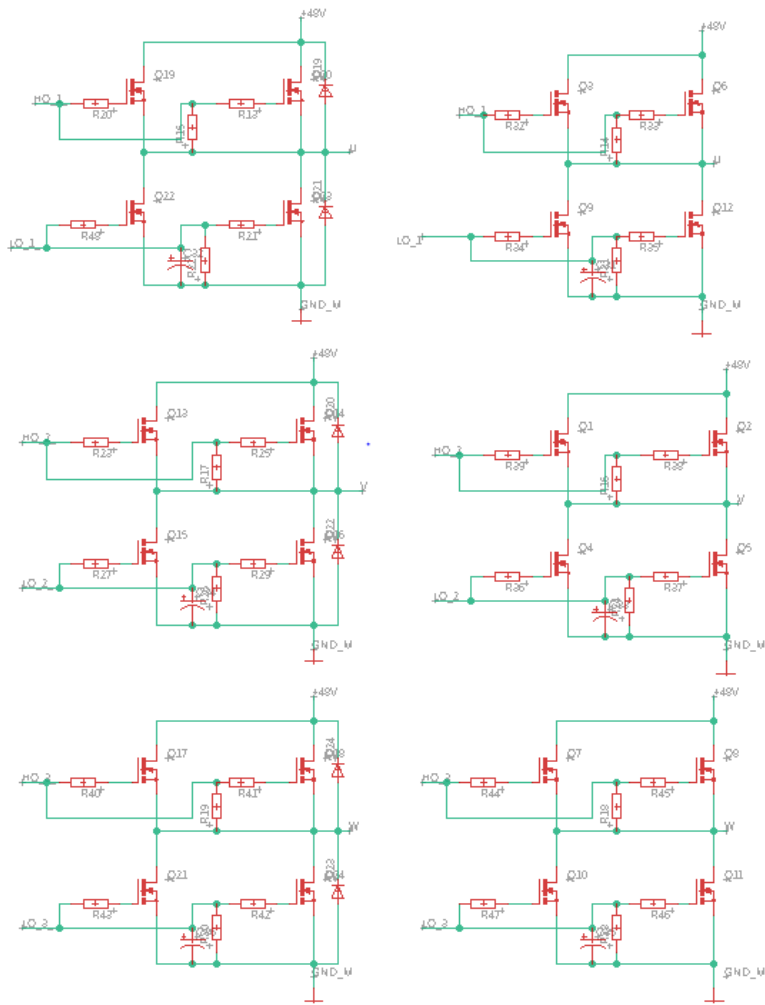
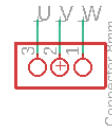
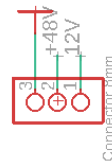
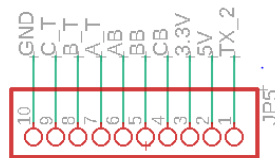
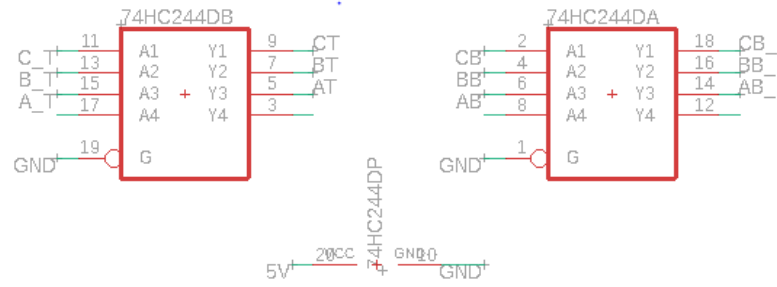
### Rangkaian MOSFET gate driver circuit



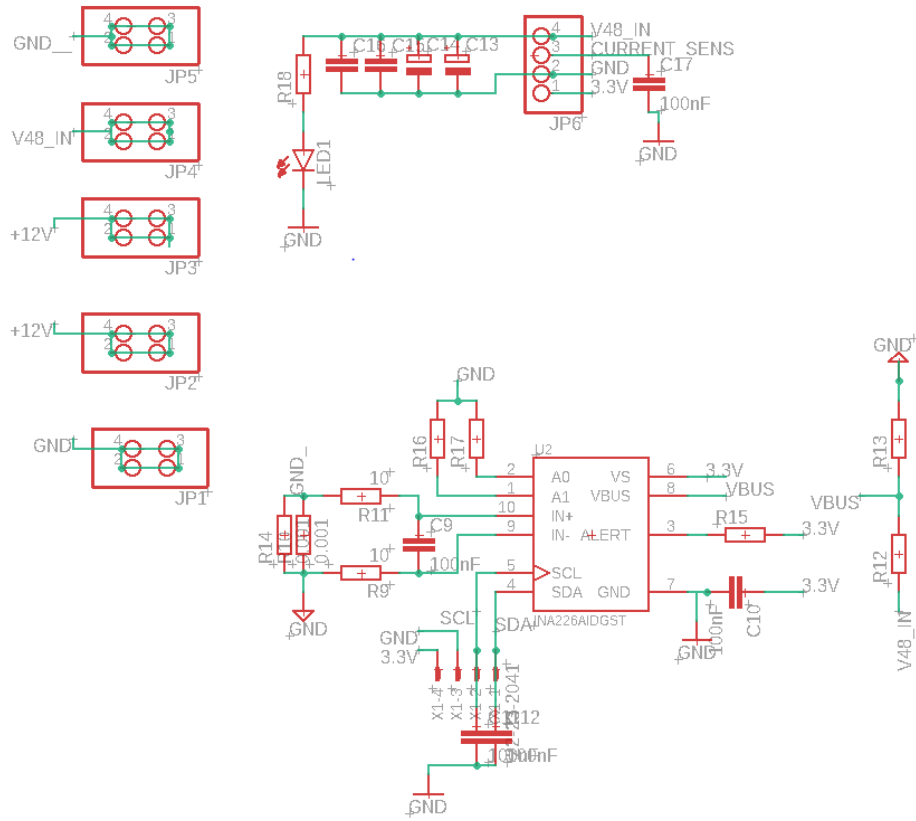
### LED Indicator



IC BUFFER



## Rangkaian Power System Unit



## Rangkaian Telemetry

