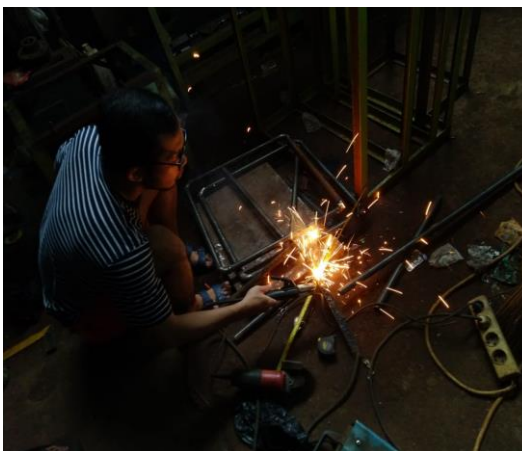
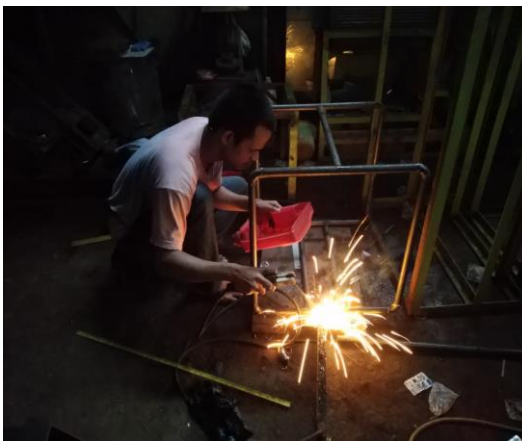
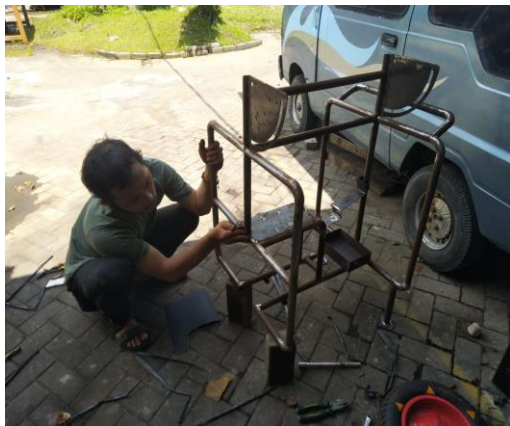
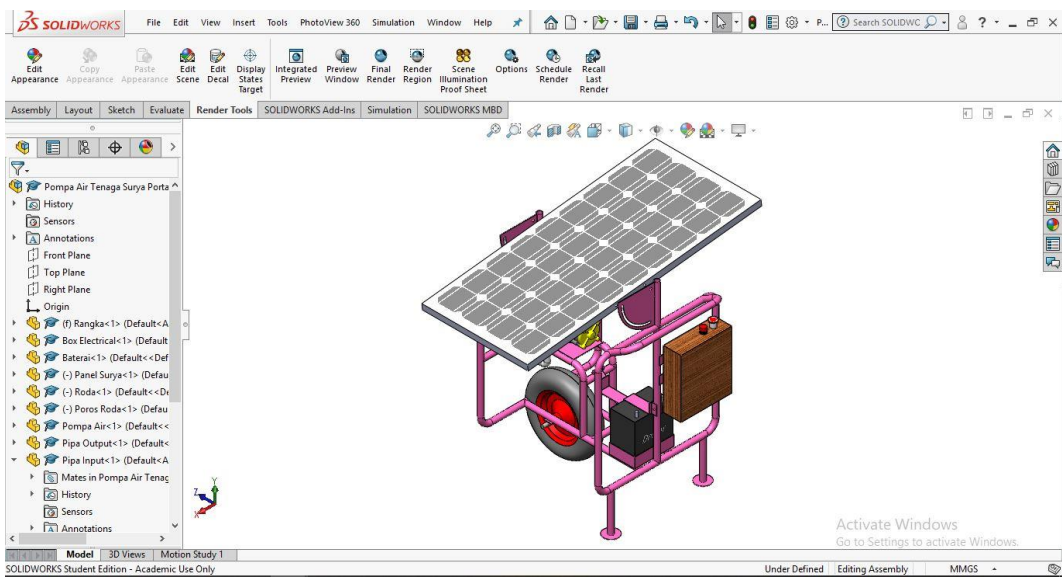
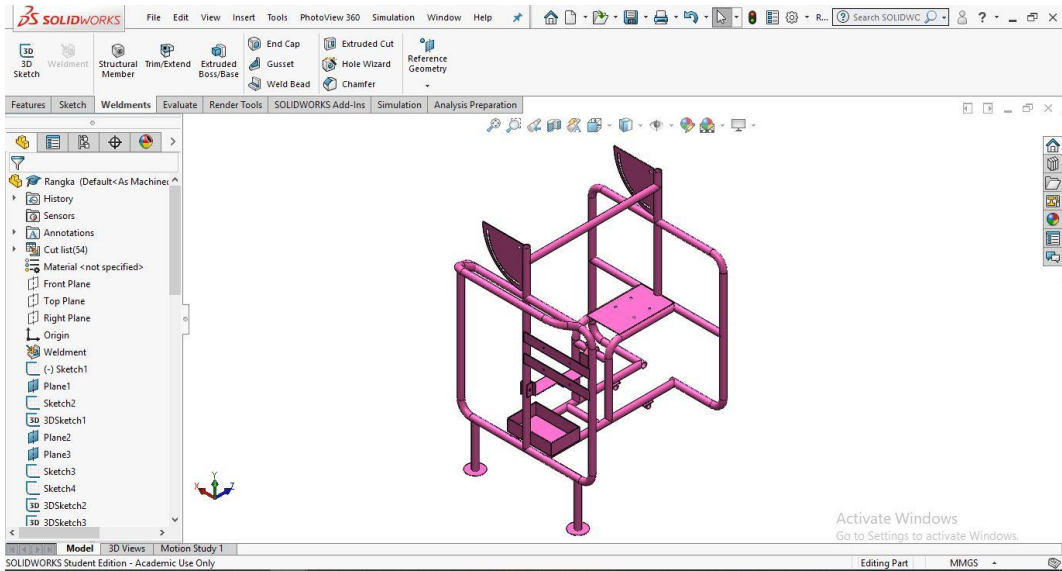


LAMPIRAN

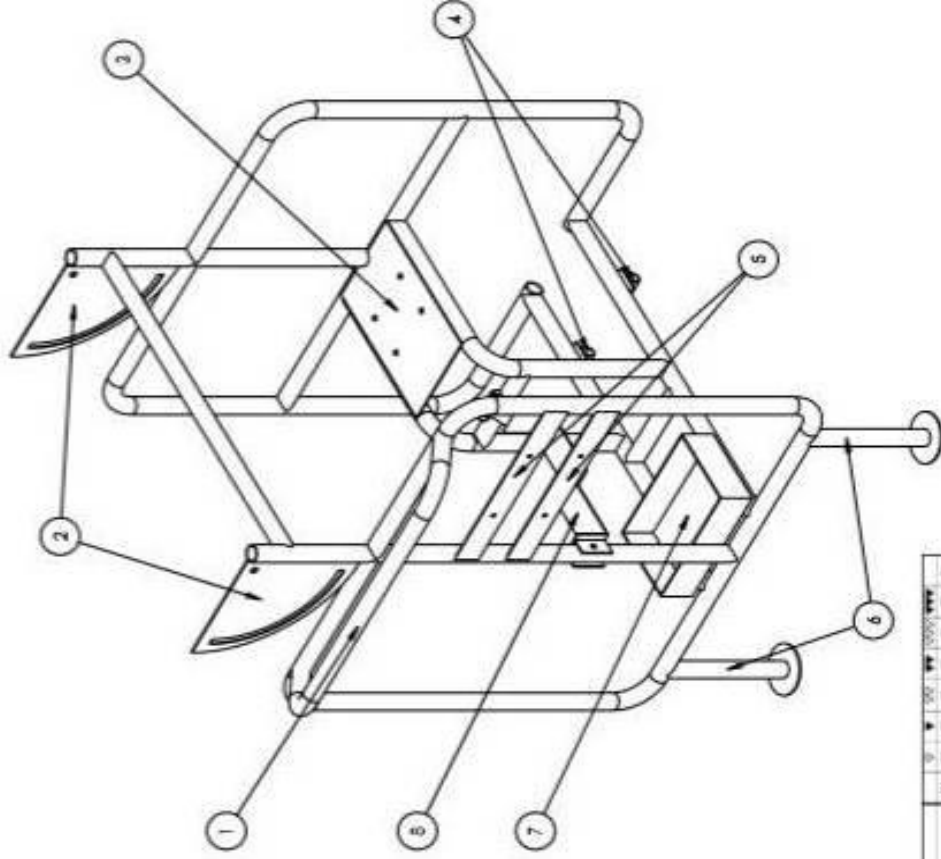








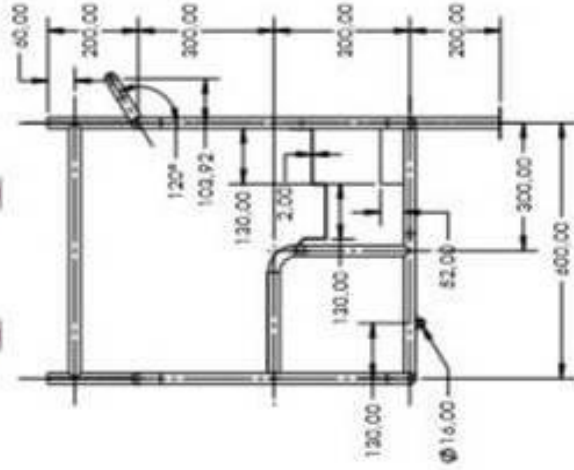
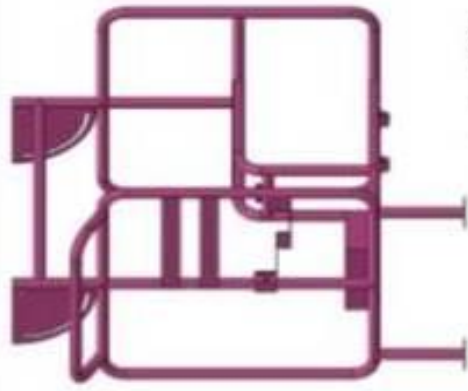
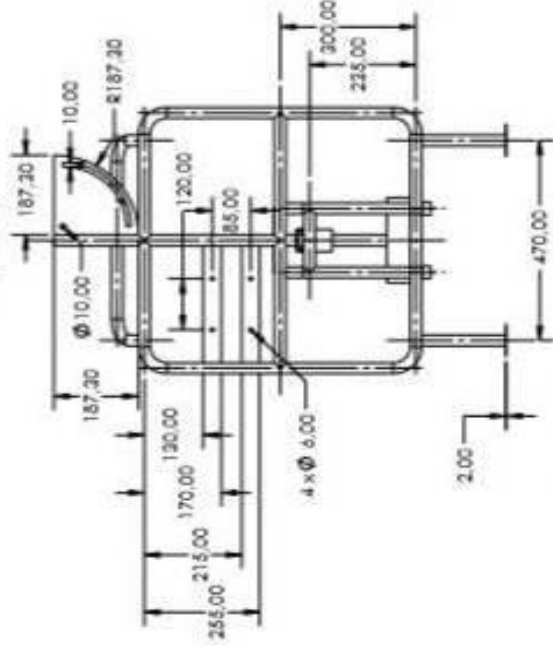
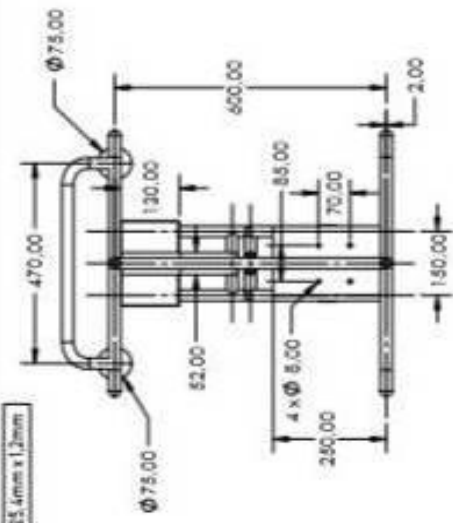
No.	Nama	Keterangan
1	Handle Rangka	
2	Bracket Panel Surya	
3	Dudukan Pompa Air	
4	Dudukan Poros Roda	
5	Dudukan Box Electrical	
6	Penyangga Rangka	
7	Dudukan Baterei	
8	Bracket Pengunci Baterei	



SOLIDWORKS		100%		1000%		10000%	
mm	mm	mm	mm	mm	mm	mm	mm
10	10	10	10	10	10	10	10
20	20	20	20	20	20	20	20
30	30	30	30	30	30	30	30
40	40	40	40	40	40	40	40
50	50	50	50	50	50	50	50
60	60	60	60	60	60	60	60
70	70	70	70	70	70	70	70
80	80	80	80	80	80	80	80
90	90	90	90	90	90	90	90
100	100	100	100	100	100	100	100
110	110	110	110	110	110	110	110
120	120	120	120	120	120	120	120
130	130	130	130	130	130	130	130
140	140	140	140	140	140	140	140
150	150	150	150	150	150	150	150
160	160	160	160	160	160	160	160
170	170	170	170	170	170	170	170
180	180	180	180	180	180	180	180
190	190	190	190	190	190	190	190
200	200	200	200	200	200	200	200
210	210	210	210	210	210	210	210
220	220	220	220	220	220	220	220
230	230	230	230	230	230	230	230
240	240	240	240	240	240	240	240
250	250	250	250	250	250	250	250
260	260	260	260	260	260	260	260
270	270	270	270	270	270	270	270
280	280	280	280	280	280	280	280
290	290	290	290	290	290	290	290
300	300	300	300	300	300	300	300
310	310	310	310	310	310	310	310
320	320	320	320	320	320	320	320
330	330	330	330	330	330	330	330
340	340	340	340	340	340	340	340
350	350	350	350	350	350	350	350
360	360	360	360	360	360	360	360
370	370	370	370	370	370	370	370
380	380	380	380	380	380	380	380
390	390	390	390	390	390	390	390
400	400	400	400	400	400	400	400
410	410	410	410	410	410	410	410
420	420	420	420	420	420	420	420
430	430	430	430	430	430	430	430
440	440	440	440	440	440	440	440
450	450	450	450	450	450	450	450
460	460	460	460	460	460	460	460
470	470	470	470	470	470	470	470
480	480	480	480	480	480	480	480
490	490	490	490	490	490	490	490
500	500	500	500	500	500	500	500

SCALE: 1:1	DRAWN: Pusk	DATE: 18/07/2017	NO.:
UNIT: mm	CHECK:	APPROVE:	
UNIVERSITAS MAHARADJAH YOGYAKARTA	Komponen Rangka		No. A3

Material Pipa Besi 25.4mm x 1.2mm



DIMENSIONS (mm)										
Allowable Deviations for dimensions without tolerances indication (machined surfaces)										
Figures	Tolerances	Holes and slots			Other dimensions			Rough and cast		
		H12	H15	H18	H12	H15	H18	H12	H15	H18
0.5 - 3	±0.15	±0.1	±0.12	±0.15	±0.1	±0.12	±0.15	±0.1	±0.12	±0.15
3 - 10	±0.2	±0.15	±0.18	±0.2	±0.15	±0.18	±0.2	±0.15	±0.18	±0.2
10 - 30	±0.3	±0.2	±0.25	±0.3	±0.2	±0.25	±0.3	±0.2	±0.25	±0.3
30 - 100	±0.5	±0.3	±0.4	±0.5	±0.3	±0.4	±0.5	±0.3	±0.4	±0.5
100 - 300	±0.8	±0.5	±0.6	±0.8	±0.5	±0.6	±0.8	±0.5	±0.6	±0.8
300 - 1000	±1.2	±0.8	±1.0	±1.2	±0.8	±1.0	±1.2	±0.8	±1.0	±1.2
> 1000	±2.0	±1.2	±1.5	±2.0	±1.2	±1.5	±2.0	±1.2	±1.5	±2.0

 Universitas Muhammadiyah Yogyakarta	Rangka	No.	A3
SCALE 1:1	DRAWN : Fina	NOTE	
UNIT : mm	CHECK :		
DATE : 05/07/2024	APPROVE :		