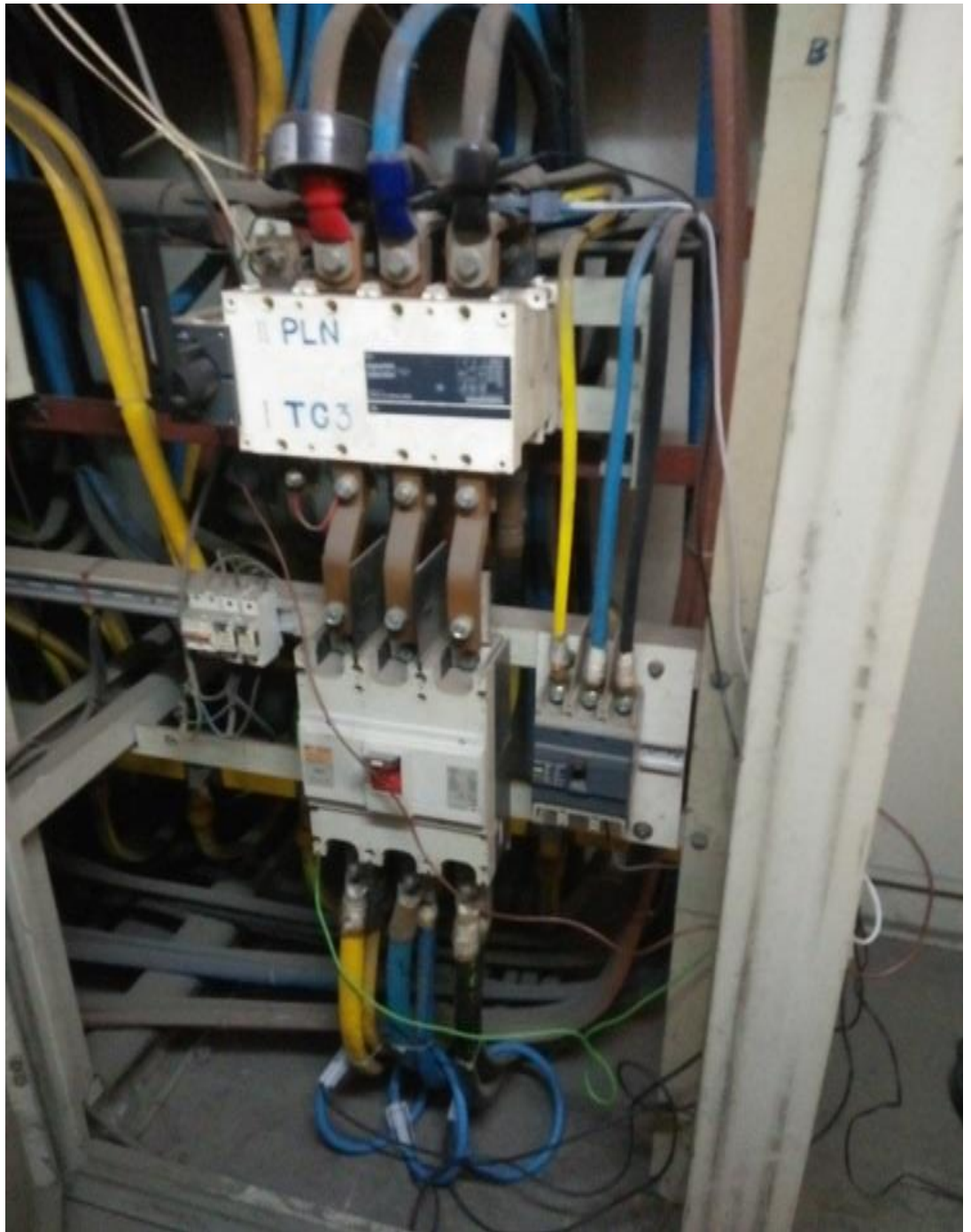
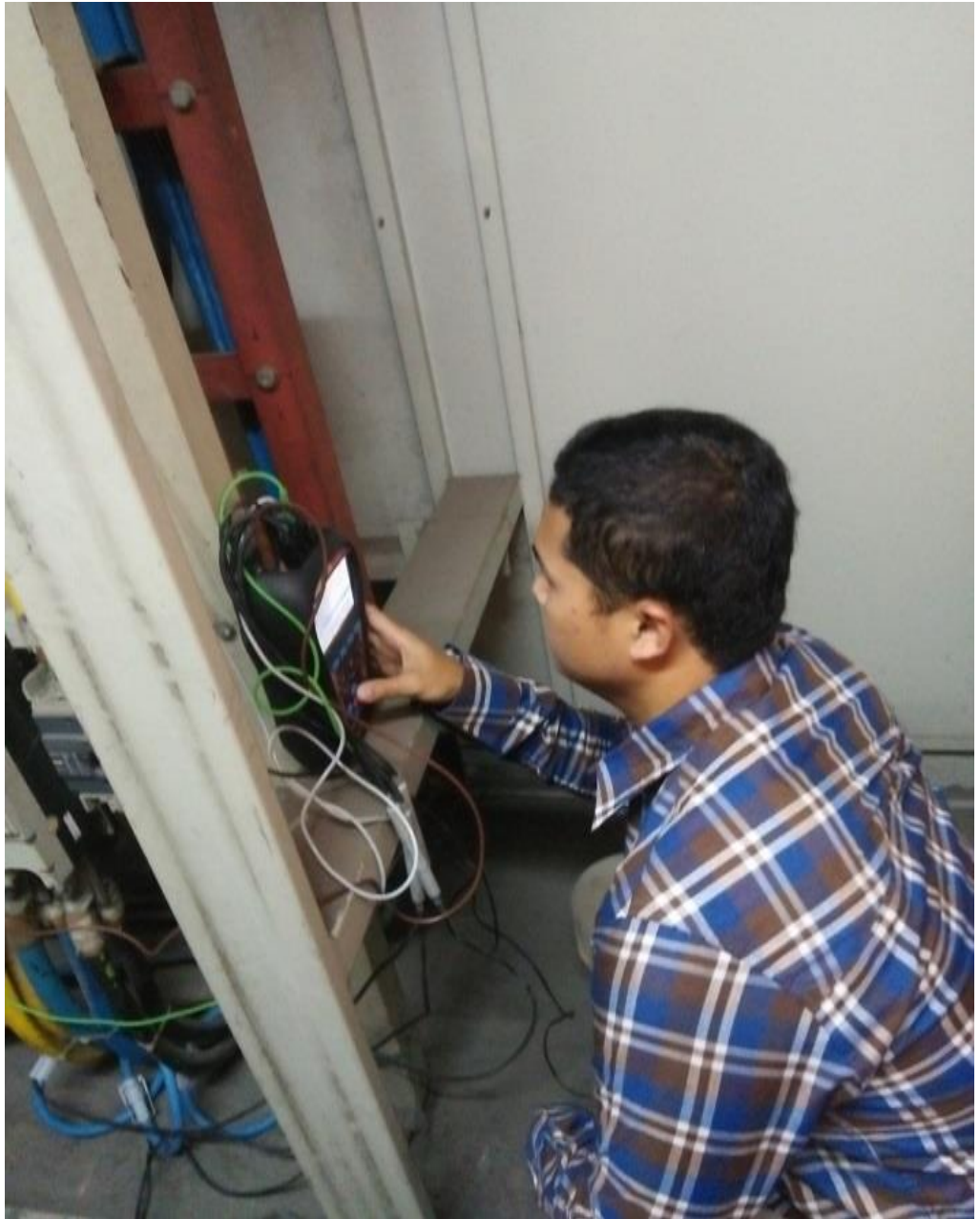


# LAMPIRAN

Lampiran 1. Proses pemasangan alat ukur terhadap panel LVMD

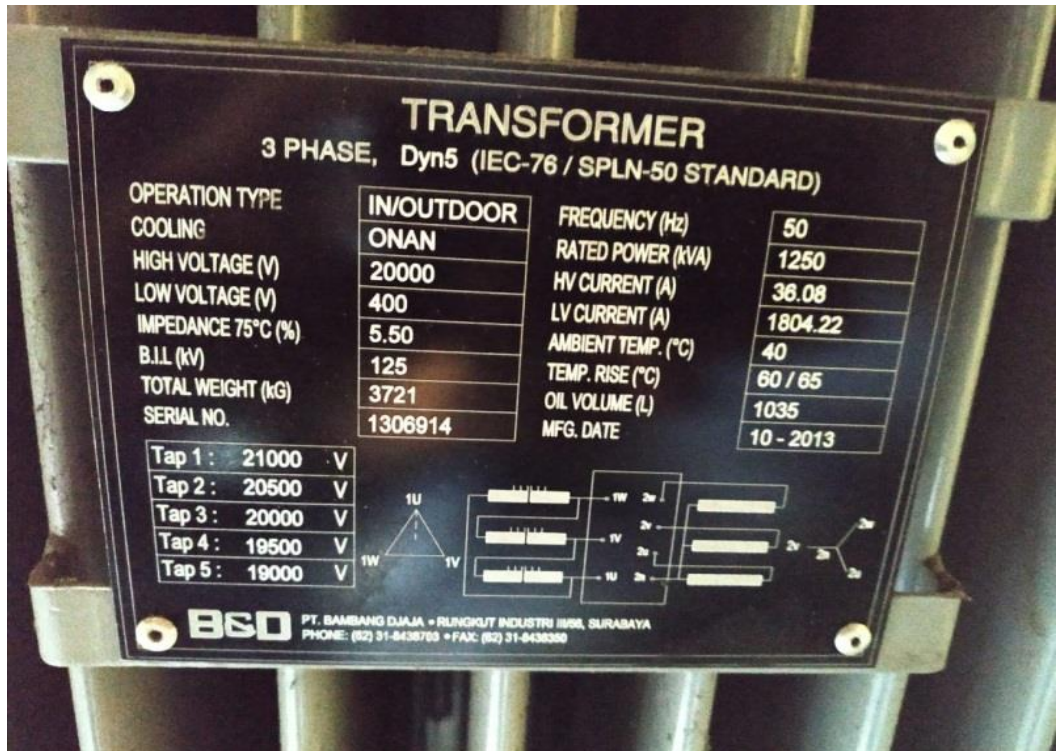


Lampiran 2. Proses pangaktifan alat ukur power quality analyzer/ Metrel

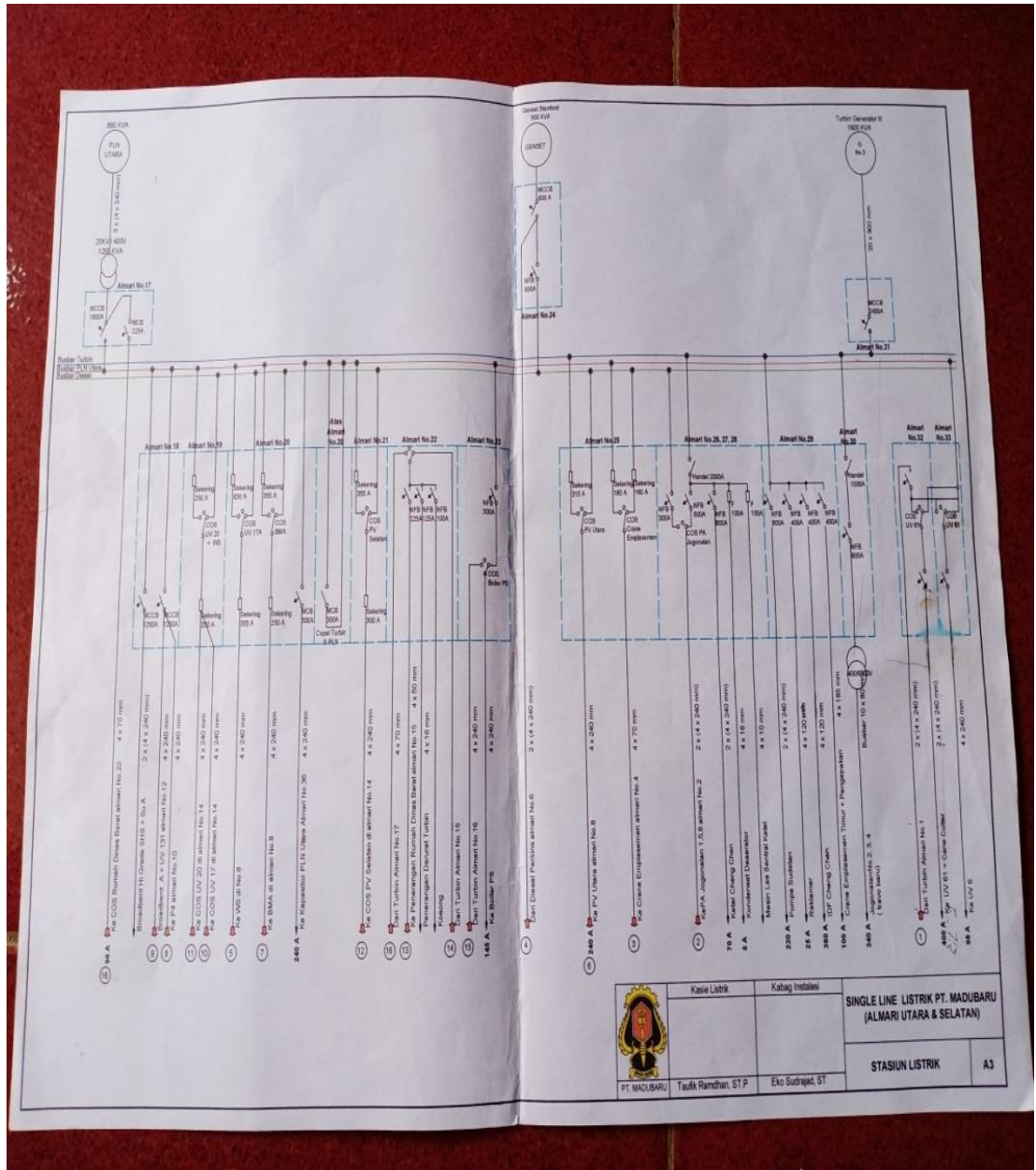




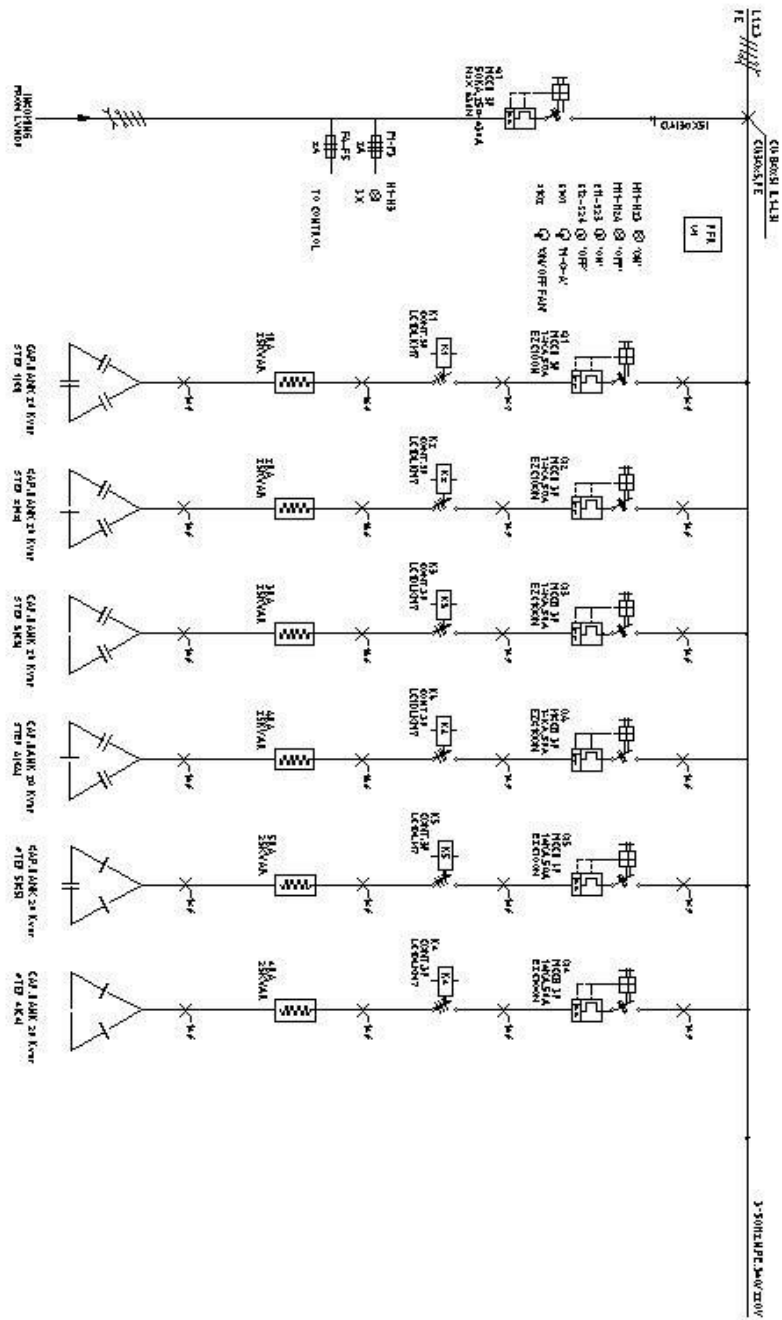
Lampiran 3. Gambar Trafo serta Nameplat



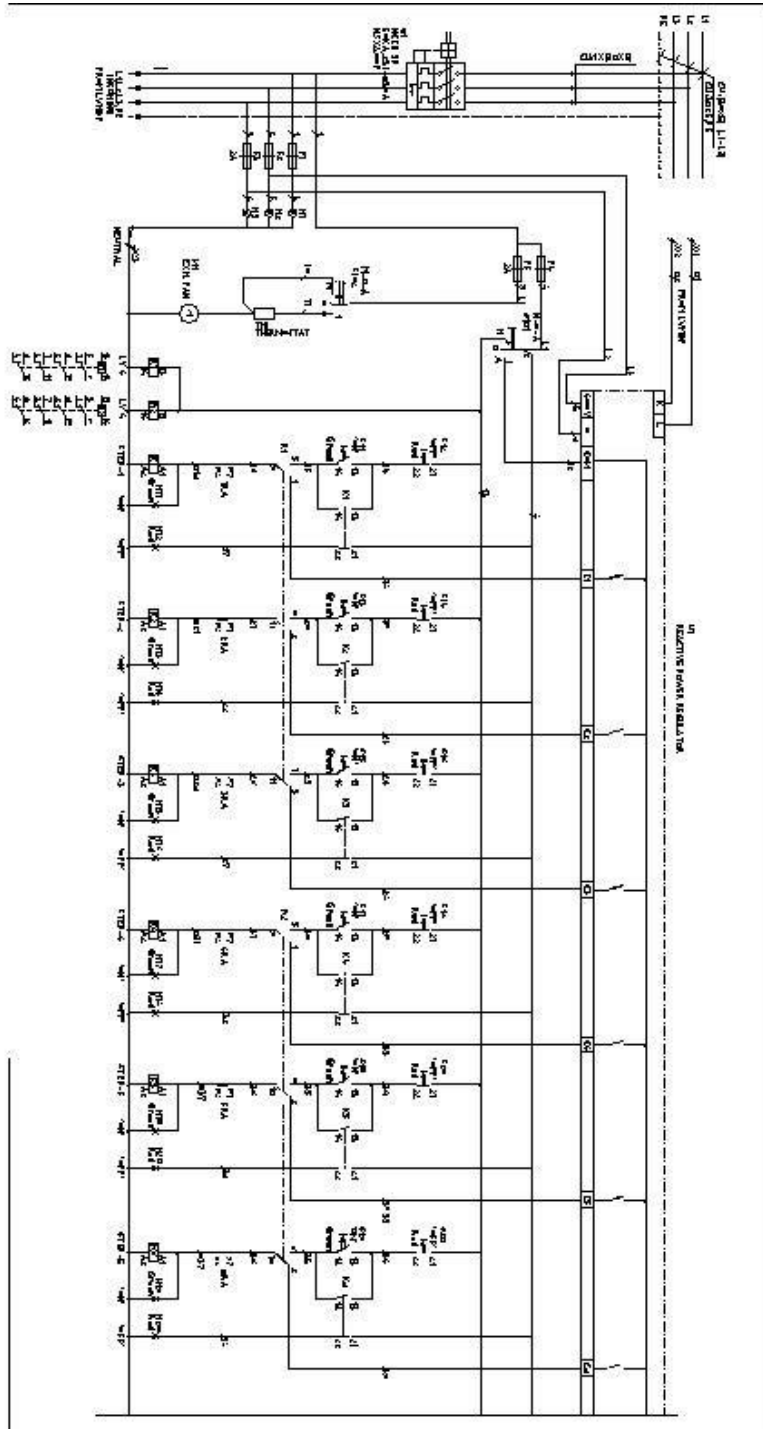
lampiran 4 Gambar single line diagram PG Madukismo



Lampiran 5 single line diagram panel capacitor bank



Lampiran 6 wiring diagram panel capacitor bank



# Lampiran 7 Box panel capasitor bank

