

LAMPIRAN

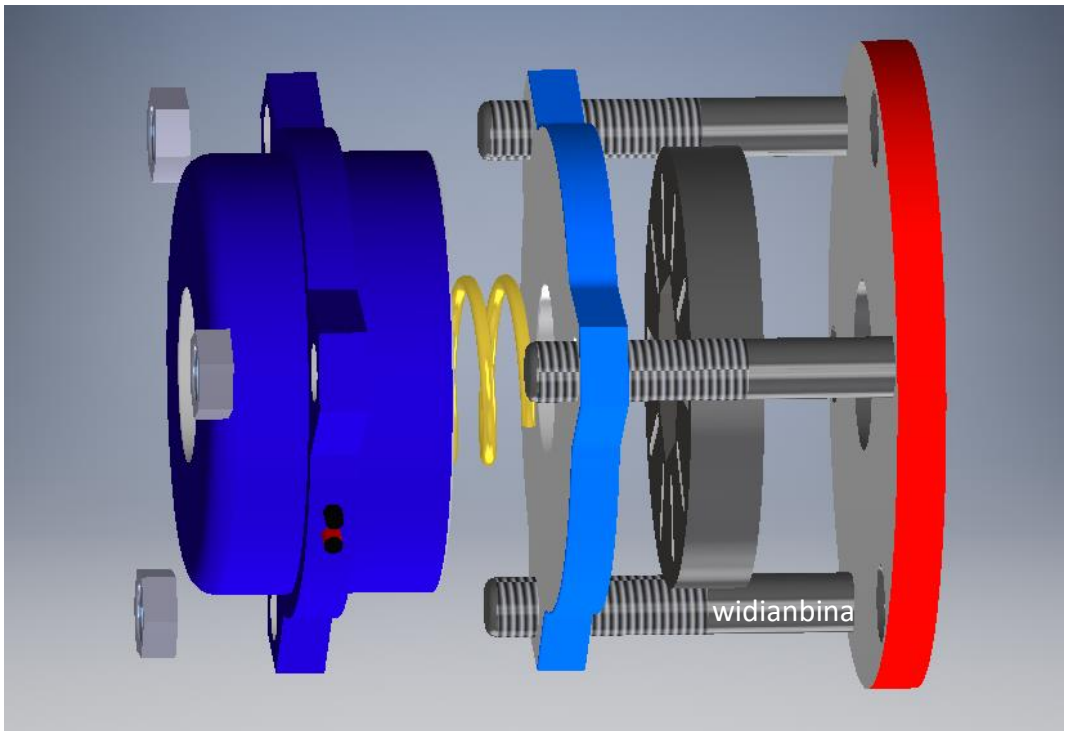
Lampiran 1



Gambar 1.1 Alat Las Gesek (Friction Welding) Kapaitas 5,5 Kgf/Cm²

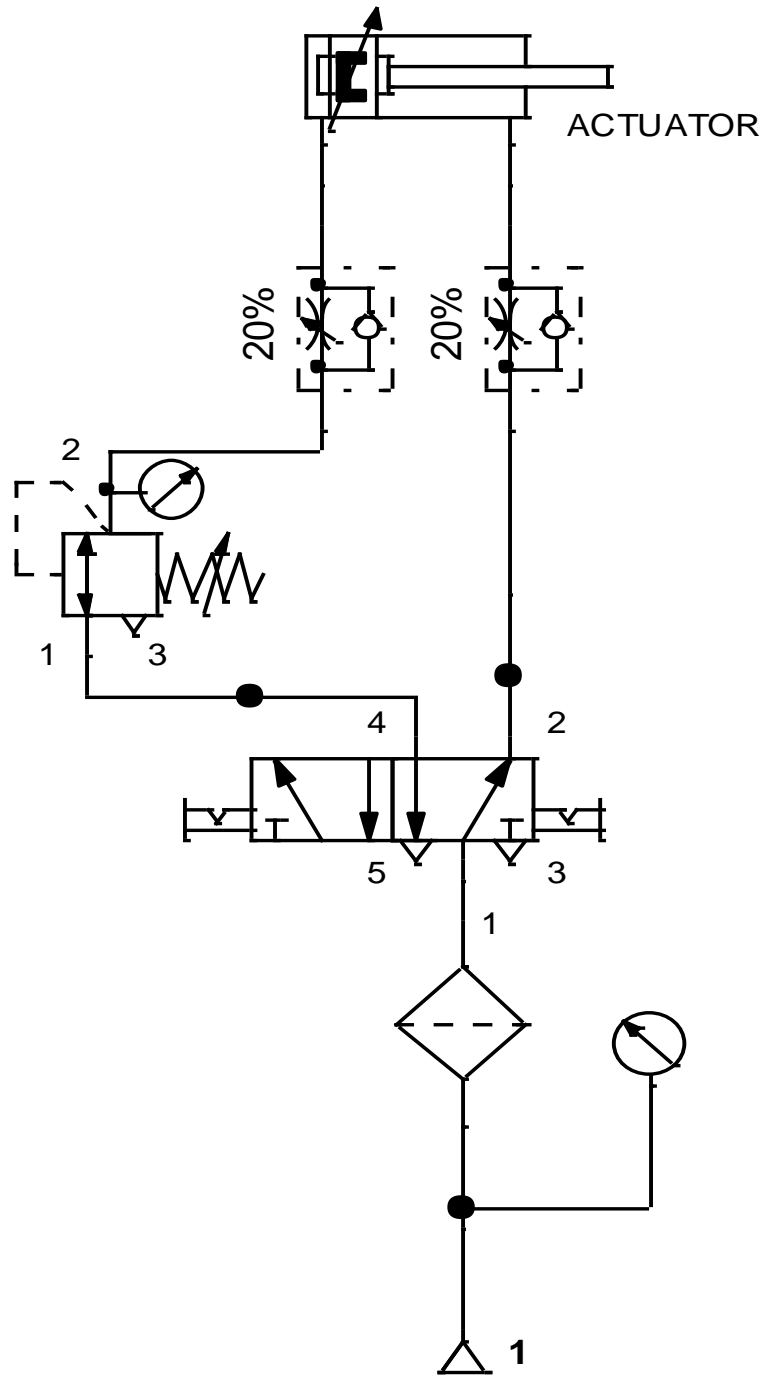


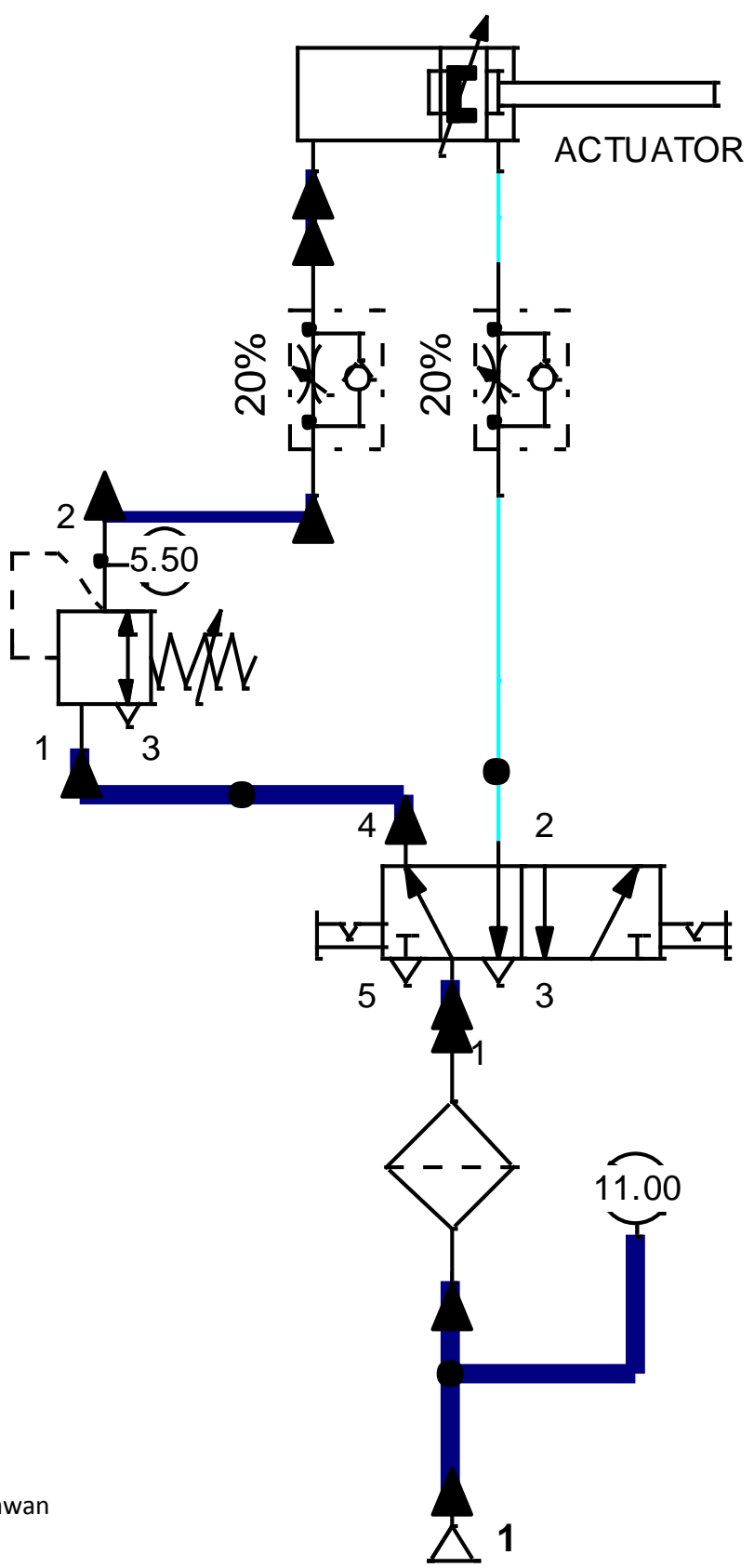
Gambar 1.2 Pnuematik 5,5 Kgf/Cm²



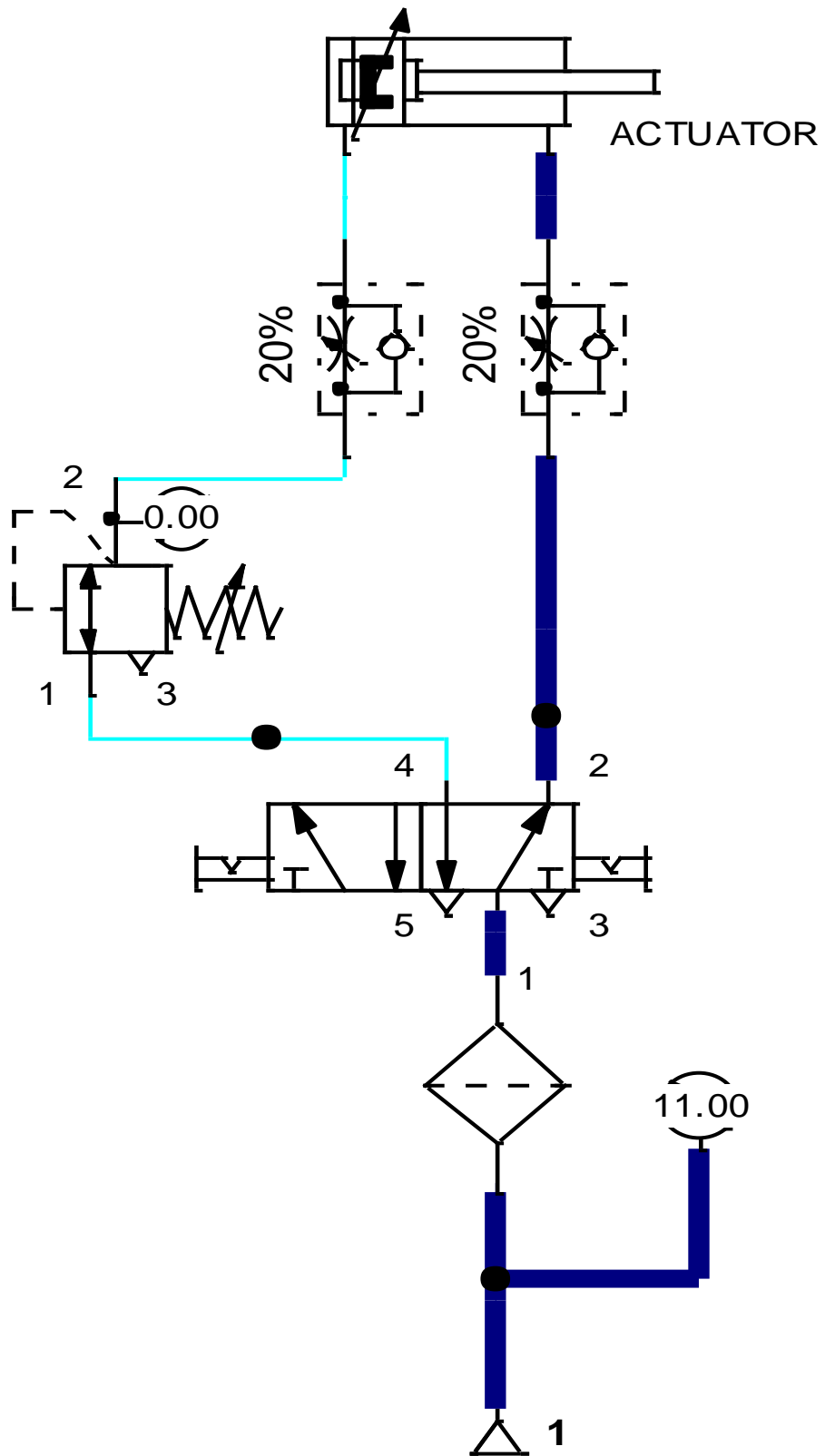
Gambar 1.3 Rem Magnet

Lampiran 2 skematik sistem pneumatic





Created by
Widian binawan



Created by
Widian binawan