

LAMPIRAN

```
#include <LiquidCrystal.h>

int speakerPin=6;
const int analogInPin = A0;
int sensorValue = 0;
int batas = 0;
int Level = 0;

LiquidCrystal lcd(12, 11, 5, 4, 3, 2);

void setup()
{
  lcd.begin(16,2);
  lcd.print("Warming Up");
  delay (7000);
  lcd.clear();
  lcd.setCursor(0,0);
  lcd.print("Pengujian");
  lcd.setCursor(0,1);
  lcd.print("Kadar Alkohol");
  delay(7000);
  lcd.clear();
  lcd.clear();
  lcd.setCursor(0,0);
```

```
lcd.print("HENDRI K");

lcd.setCursor(0,1);

lcd.print("20143010089");

delay(5000);

sensorValue = analogRead(analogInPin);

batas=sensorValue;//batas bawah sensor

lcd.clear();

pinMode(speakerPin,OUTPUT);

Serial.begin(9600);
}

void loop()
{
  sensorValue = analogRead(analogInPin);

  Level = map(sensorValue, batas, 1023, 0, 100);

  lcd.setCursor(0,0);

  lcd.print("Kadar= ");

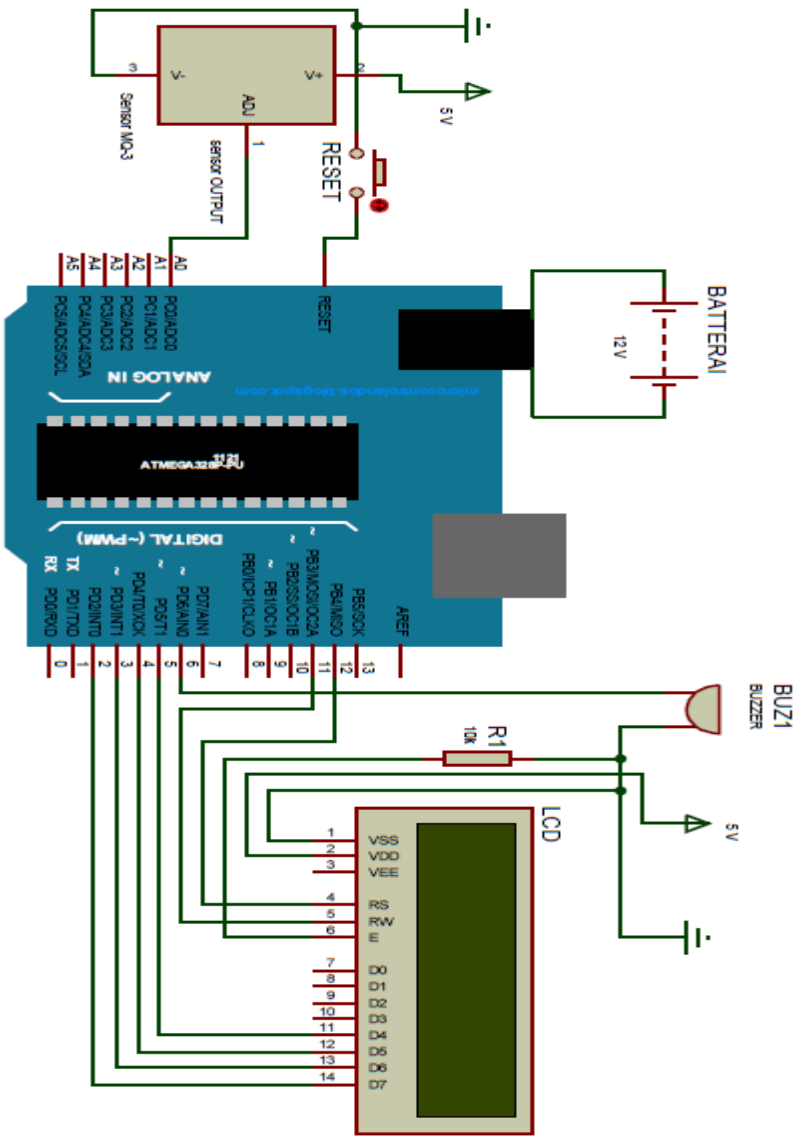
  lcd.print(Level);

  lcd.print(" % ");

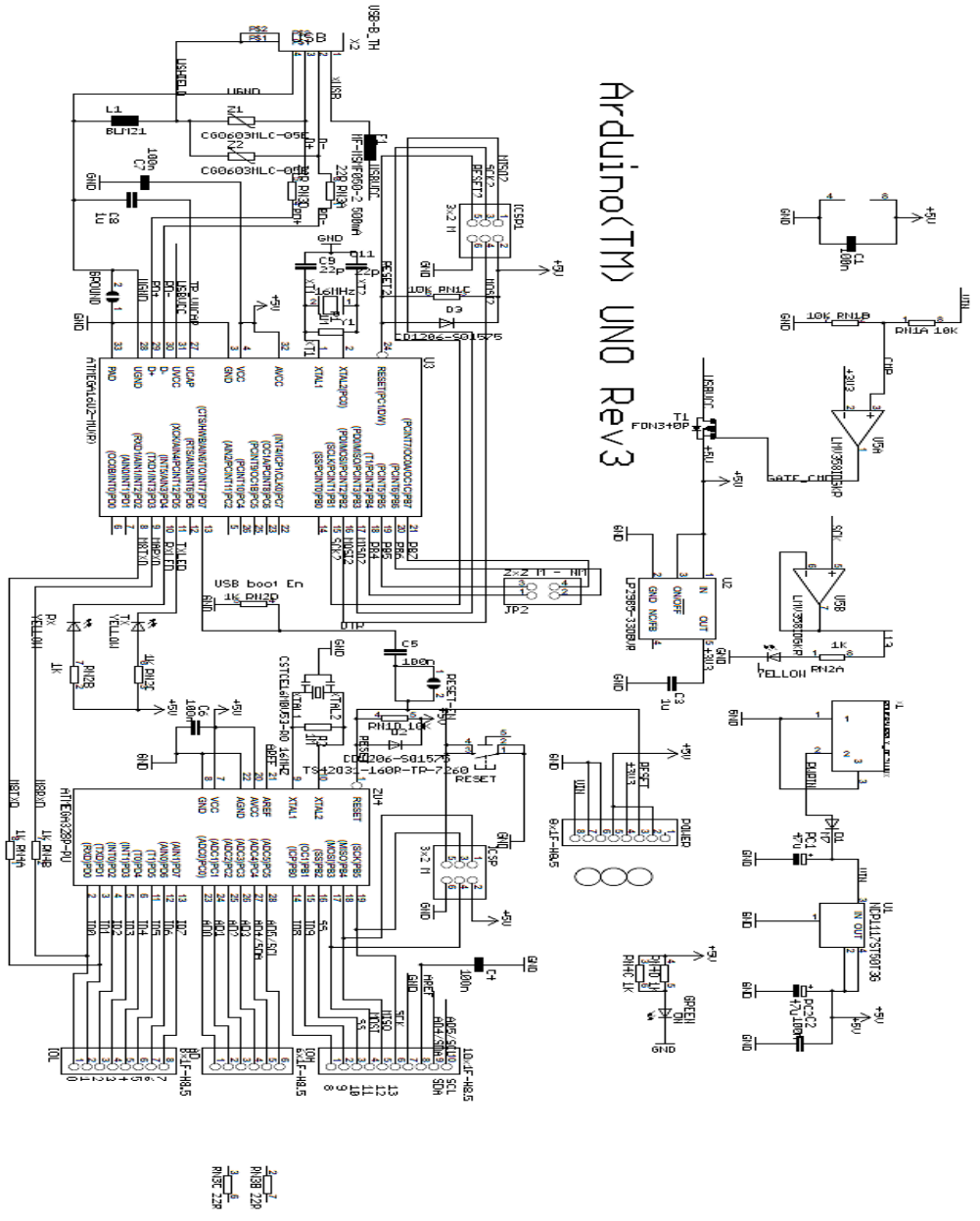
  if(Level<=0)
  {
    lcd.setCursor(0,1);
```

```
lcd.print("NO ALKOHOL");  
  
digitalWrite(speakerPin,LOW);  
  
}  
  
if(Level>=1&&Level<=5)  
{  
    lcd.setCursor(0,1);  
    lcd.print("GOLONGAN=A");  
    digitalWrite(speakerPin,LOW);  
}  
  
if(Level>=6&&Level<=20)  
{  
    lcd.setCursor(0,1);  
    lcd.print("GOLONGAN=B");  
    digitalWrite(speakerPin,LOW);  
}  
  
if(Level>=21&&Level<=55)  
{  
    lcd.setCursor(0,1);  
    lcd.print("GOLONGAN=C");  
    digitalWrite(speakerPin,LOW);  
}  
  
if(Level>55)  
{
```

```
lcd.setCursor(0,1);  
  
lcd.print("ALKOHOL MEDIS ");  
  
digitalWrite(speakerPin, HIGH);  
  
}  
  
delay(10000);  
  
}
```



Arduino(TM) UNO Rev3



Pin 1
 Pin 22
 Pin VCC
 Pin GND