

LAMPIRAN



OHIO BRASS

**SURGE
ARRESTER
IEC CLASS**

KA TYPE/CAT #

PH131700W132

SER#

UNIT STACKING ORDER

TOP

Uc 1000 KV RMS

48-62Hz Ur 177 KV RMS

Short Circuit 137 KA RMS

MFR YEAR 2016

SEP14014630084
SEP14014630049

BOT

HUBBELL POWER SYSTEMS, INC.
AIKEN, SOUTH CAROLINA • WADSWORTH, OHIO USA

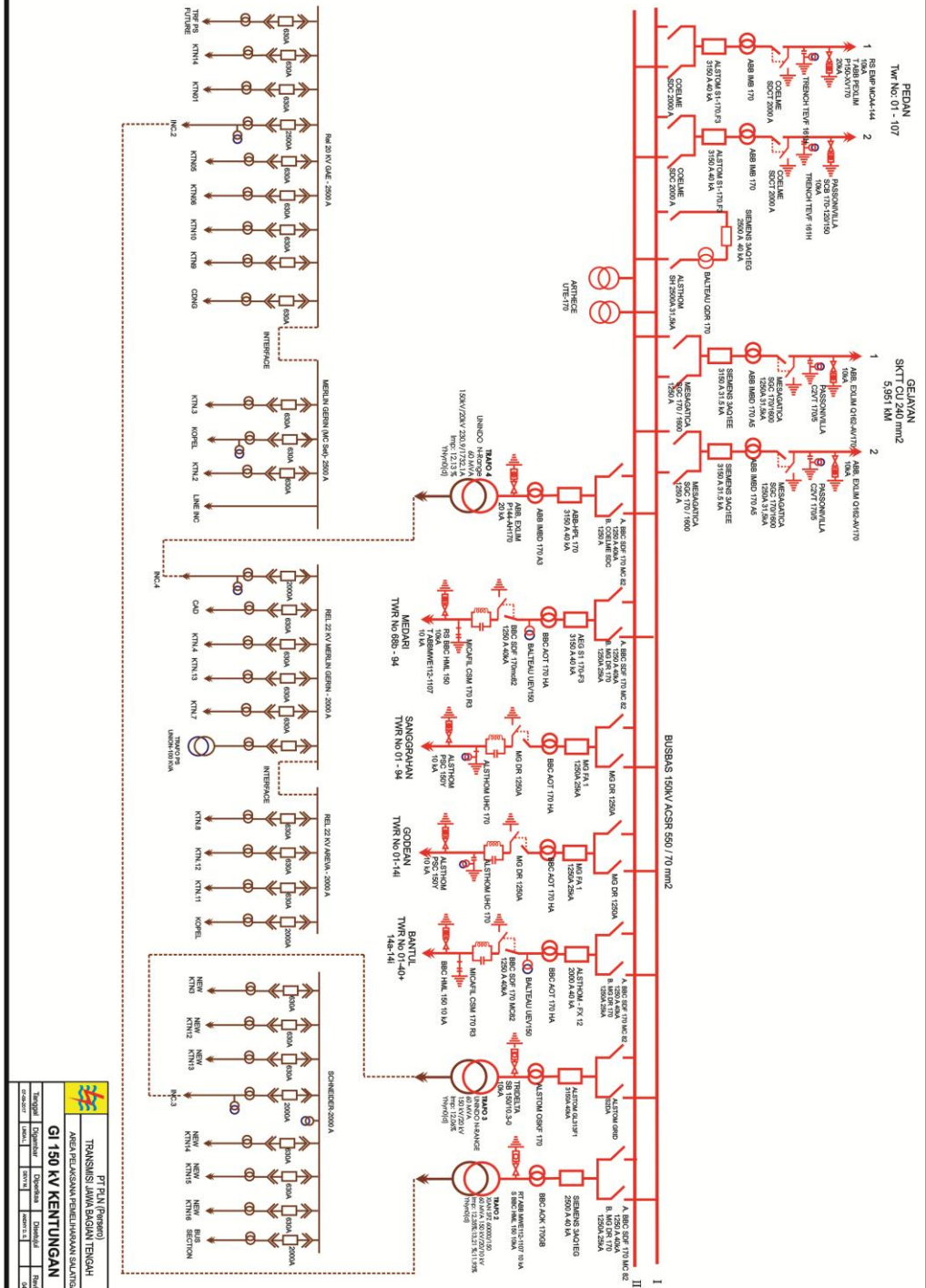
OHMO/BRASS'S
Specialty
Aluminum
Die Casts

10 EA. 888/8411

WELDED TOGETHER

1/2" DIA. HOLES
1/2" DIA. HOLES
1/2" DIA. HOLES

HUBBELL POWER SYSTEMS, INC.
AMERICAN SOURCE CONTROL NO. 2 MADE IN THE USA



PT PLN (Persah) TRANSMISI JAWA TENGAH AREA PELAKSANAAN PERBESARAN SALURAN GI 150 kV KENTUNGAN	
Tipe	Dispersi
Uraian	Dispersi
Revisi	Revisi
01	01



OHIO BRASS

SURGE ARRESTER IEC CLASS

KA TYPE/CAT#

SER#

UC 100 KV RMS

48-62HZ Ur 152 KV RMS

Short Circuit 63 KA RMS

MFR YEAR 2016

UNIT STACKING ORDER

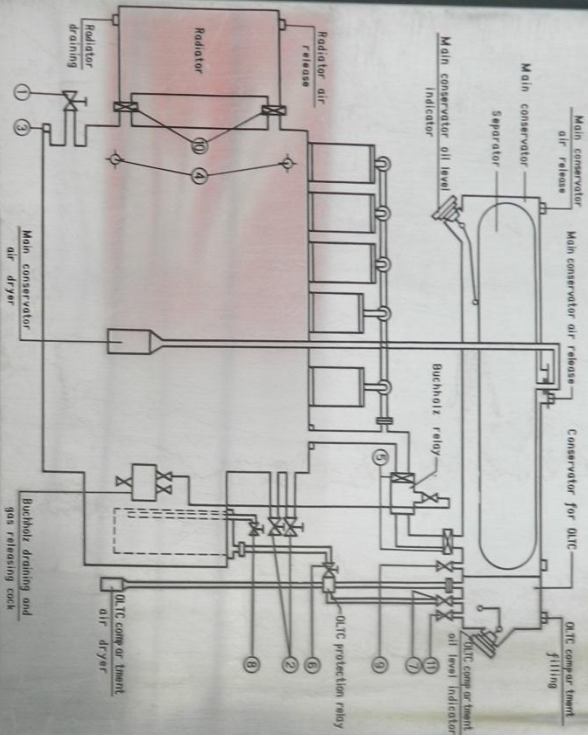
TOP

BOT

HUBBELL POWER SYSTEMS, INC.
AIKEN, SOUTH CAROLINA • WADSWORTH, OHIO USA

PSEP13UAC20064
PSEP13UAC20049

XIAN TRANSFORMER WORKS



CLOSED OR OPENED POSITION OF THE VALVES DURING OPERATIONS:

1	●	TANK DRAIN AND LOWER FILTER VALVE	ø 50	7	○	VALVE FOR DLT RELAY PIPE	ø 25
2	●	UPPER FILTER VALVE	ø 27	8	●	DLT TANK SAMPLING DRAINING VALVE	ø 25
3	●	TOTAL DRAINING	ø 24	9	●	MAIN CONSERVATOR DRAIN VALVE	ø 25
4	●	OIL SAMPLING COCK	ø 4	10	○	RADIATOR VALVE	ø 80
5	○	VALVE FOR BUCHHOLZ	ø 80	11	○	DLT COMPARTMENT DRAINING VALVE	ø 25
6	○	VALVE FOR DLT RELAY	ø 5				

Legend: ● : CLOSED ○ : OPENED

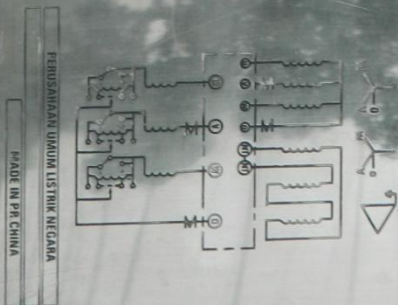
NOTE: VACUUM TIGHTNESS OF TANK 6.77x10⁻⁴ Pa

85B 800 5027

XIAN TRANSFORMER WORKS

TRANSFORMER TYPE	220KV/110KV	SIGNAL AUTO-RESETTING SYSTEM	MANUFACTURED	1995	
NOMINAL RATING	220KV	CONNECTION SYSTEM	DIAN-DIAN	AMBIENT TEMP MAX	40°
PROTECTION	Oil Temperature	TEMP. RISE	3	STANDARD	IEC 2S-1515
TEMPERATURE	WVA	TEMP. RISE	53°	WINDING TEMP RISE	59°
TEMPERATURE	WVA	TEMP. RISE	53°	WINDING TEMP RISE	59°
TEMPERATURE	WVA	TEMP. RISE	53°	WINDING TEMP RISE	59°

1	100000	100000	100000
2	100000	100000	100000
3	100000	100000	100000
4	100000	100000	100000
5	100000	100000	100000
6	100000	100000	100000
7	100000	100000	100000
8	100000	100000	100000
9	100000	100000	100000
10	100000	100000	100000
11	100000	100000	100000
12	100000	100000	100000
13	100000	100000	100000
14	100000	100000	100000
15	100000	100000	100000
16	100000	100000	100000
17	100000	100000	100000
18	100000	100000	100000



TEKNIKAL DAN BAHAN (M) KAWASAN PAS PAS 1995
 REVISION 01.27 (ALLOKASI DAN PERUBAHAN SUDUT DOKUMEN)

2014.03.25 08:56