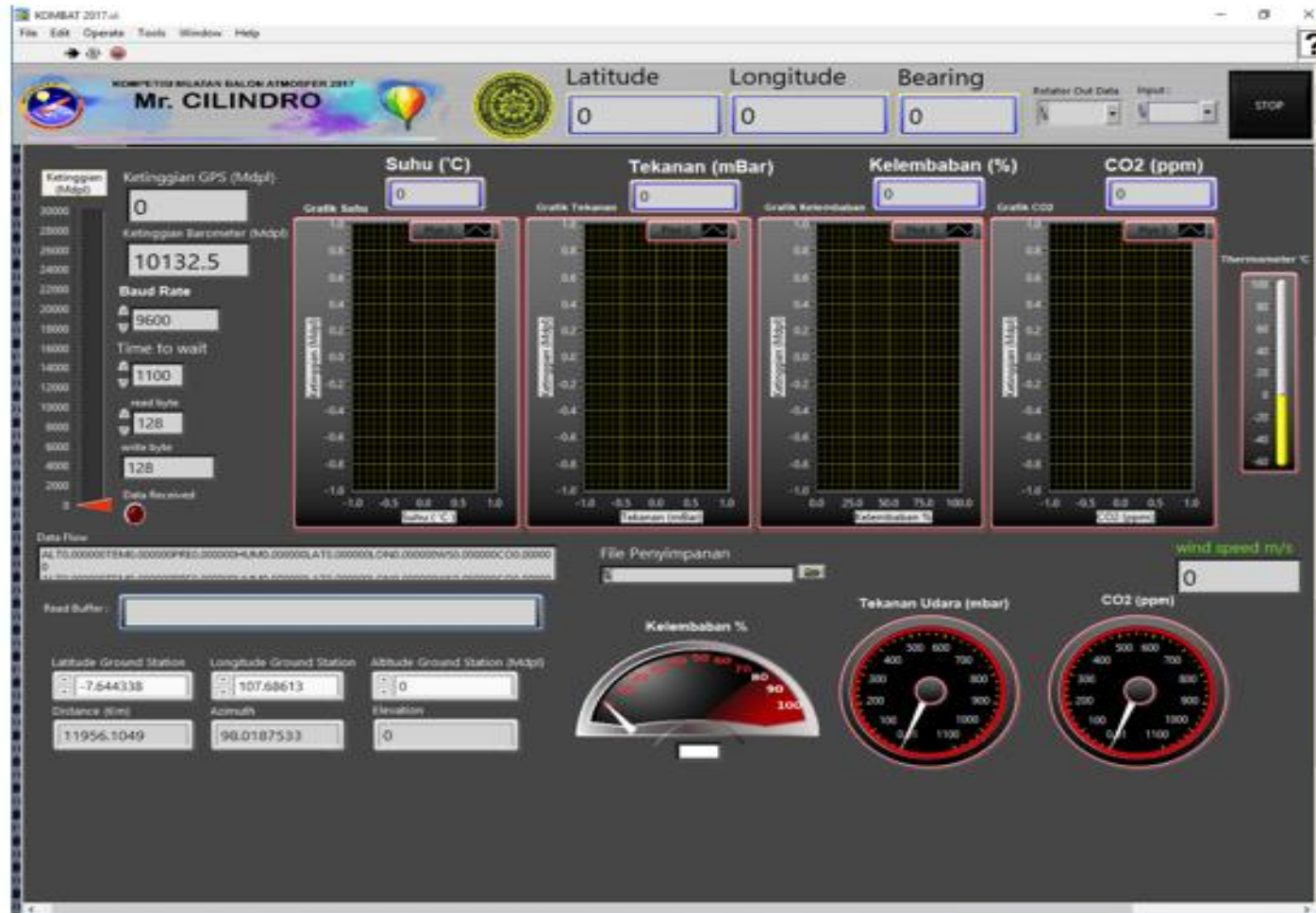


LAMPIRAN



KOMBAT 2017

File Edit Operasi Tools Window Help

KOMPETISI BULANAN BALON AIRWISPER 2017
Mr. CILINDRO

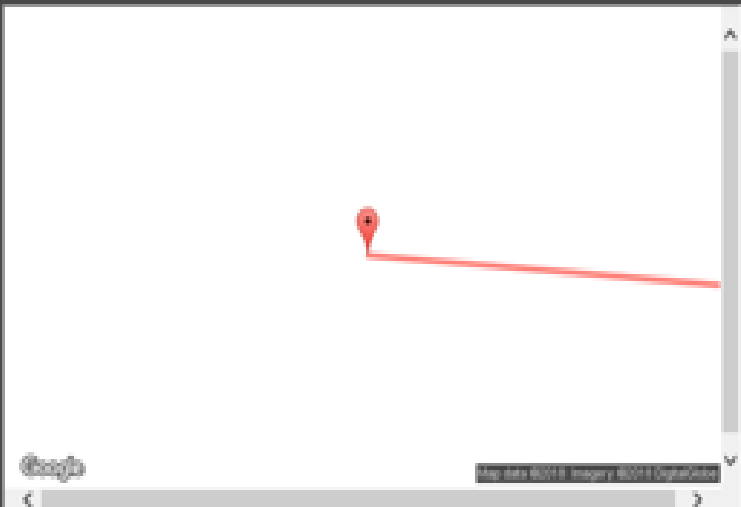
Latitude Longitude Bearing

0 0 0

Rotator Out Data Input: STOP

Ketinggian (Map)

20000
18000
16000
14000
12000
10000
8000
6000
4000
2000
0



Map Data ©2017, Imagery ©2017 DigitalGlobe

URL
<https://maps.google/maps.com/maps/api/stationsap?center=0,000000>

Google Maps API Key
<AIzaSyDPM8mdujyq2dUx7h4PwWt18y4CjwG>

Penjang Peta: 1200
Lebar Peta: 100
Zoom: 10

Map Format: Hybrid
Weight: 5

Latitude Home Balloon: -7.64254
Longitude Home Balloon: 107.48148

Path Color: Red
Show Path: Green
Create KML: Yellow

Nama Data KML: 001

Read Data KML:

Penyimpanan Koordinat Data KML:

Data Koordinat KML:

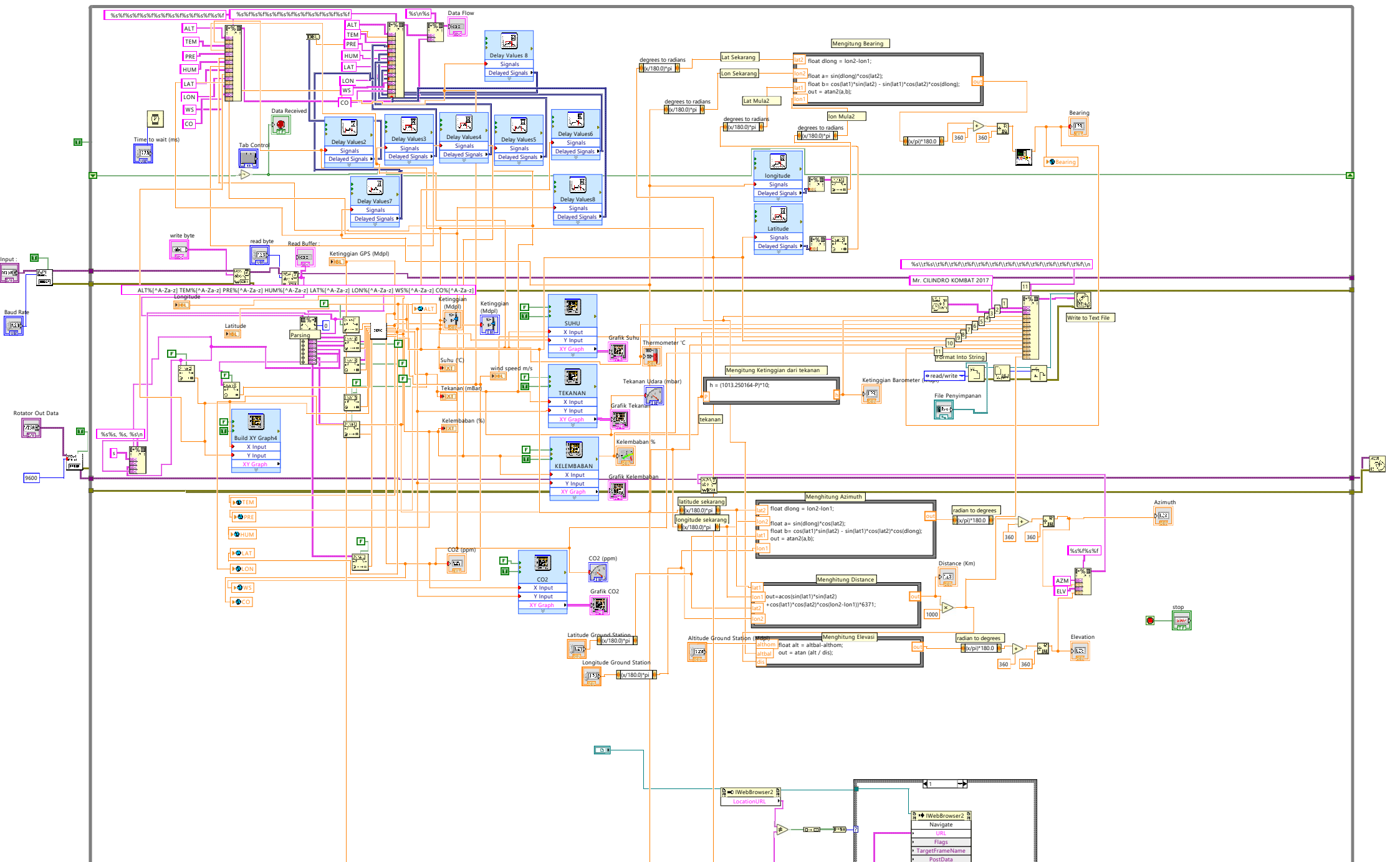


KOMBAT 2017.vi

D:\KOMBAT 2017\Labview\KOMBAT 2017.vi

Last modified on 1/11/2018 at 12:17 AM

Printed on 1/14/2018 at 8:51 PM



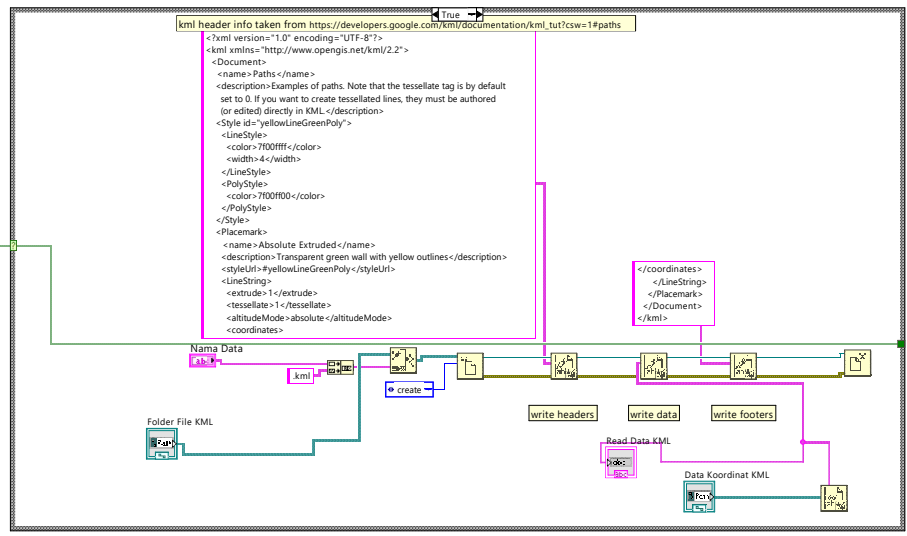
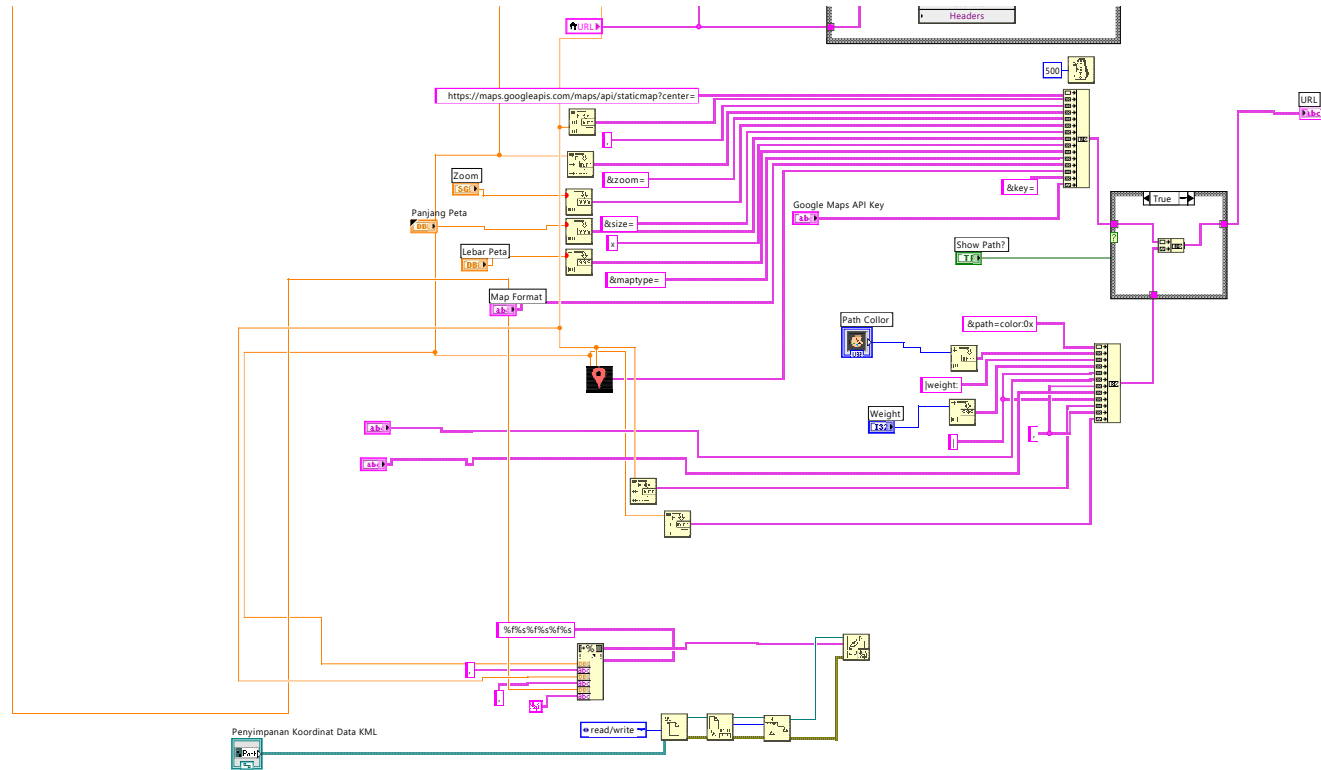


KOMBAT 2017.vi

D:\KOMBAT 2017\Labview\KOMBAT 2017.vi

Last modified on 1/11/2018 at 12:17 AM

Printed on 1/14/2018 at 8:52 PM



DATA - Notepad

File Edit Format View Help

ALT24.9TEM24.92PRE1011.757485HUM74.5LAT-7.643594LON107.685669WS0.005C0400
ALT25TEM24.93PRE1011.759529HUM74.51LAT-7.643594LON107.685671WS0.047C0400
ALT25.2TEM24.94PRE1011.784209HUM74.49LAT-7.643594LON107.685673WS0.058C0400
ALT25.4TEM24.95PRE1011.764147HUM74.47LAT-7.643594LON107.685675WS0.068C0400
ALT25.8TEM24.95PRE1011.79803HUM74.44LAT-7.643595LON107.685676WS0.057C0400
ALT26TEM24.97PRE1011.81364HUM74.44LAT-7.643594LON107.685676WS0.063C0400
ALT26.1TEM24.98PRE1011.773804HUM74.45LAT-7.643595LON107.685675WS0.011C0400
ALT26TEM24.99PRE1011.778015HUM74.4LAT-7.643595LON107.685674WS0.045C0400
ALT26.2TEM25PRE1011.775121HUM74.35LAT-7.643596LON107.685673WS0.022C0400
ALT26.2TEM25.01PRE1011.781162HUM74.39LAT-7.643595LON107.685673WS0.006C0400
ALT26TEM25.02PRE1011.753001HUM74.43LAT-7.643595LON107.685675WS0.037C0400
ALT26TEM25.03PRE1011.761691HUM74.42LAT-7.643595LON107.685675WS0.067C0400
ALT26TEM25.04PRE1011.777514HUM74.37LAT-7.643594LON107.685675WS0.057C0400
ALT26.2TEM25.06PRE1011.744972HUM74.36LAT-7.643593LON107.685675WS0.009C0400
ALT26.1TEM25.08PRE1011.734962HUM74.37LAT-7.643594LON107.685674WS0.024C0400
ALT26TEM25.08PRE1011.757979HUM74.36LAT-7.643594LON107.685673WS0.069C0400
ALT26.1TEM25.09PRE1011.77751HUM74.31LAT-7.643593LON107.685671WS0.01C0400
ALT26.5TEM25.13PRE1011.775292HUM74.22LAT-7.643593LON107.685671WS0.066C0400
ALT26.8TEM25.13PRE1011.780996HUM74.12LAT-7.643594LON107.685671WS0.065C0400
ALT26.9TEM25.15PRE1011.780538HUM74.08LAT-7.643594LON107.685672WS0.067C0400
ALT26.8TEM25.15PRE1011.789211HUM74LAT-7.643593LON107.68567WS0.031C0400
ALT26.6TEM25.17PRE1011.80248HUM73.95LAT-7.643592LON107.68567WS0.032C0400
ALT26.5TEM25.18PRE1011.800459HUM73.88LAT-7.643592LON107.685668WS0.028C0400
ALT26.4TEM25.2PRE1011.762179HUM73.79LAT-7.643592LON107.685666WS0.068C0400
ALT26.4TEM25.22PRE1011.771107HUM73.78LAT-7.643593LON107.685666WS0.055C0400
ALT26.6TEM25.25PRE1011.778862HUM73.65LAT-7.643595LON107.685666WS0.066C0400
ALT26.8TEM25.27PRE1011.761418HUM73.64LAT-7.643597LON107.685667WS0.043C0400
ALT27TEM25.28PRE1011.765768HUM73.59LAT-7.643599LON107.685668WS0.068C0400
ALT27TEM25.29PRE1011.791826HUM73.55LAT-7.6436LON107.685669WS0.054C0400
ALT26.9TEM25.31PRE1011.769067HUM73.47LAT-7.6436LON107.68567WS0.034C0400
ALT26.8TEM25.31PRE1011.783035HUM73.47LAT-7.6436LON107.68567WS0.077C0400
ALT26.9TEM25.34PRE1011.786762HUM73.43LAT-7.643599LON107.68567WS0.104C0400
ALT27TEM25.35PRE1011.778964HUM73.4LAT-7.643597LON107.685669WS0.085C0400
ALT26.9TEM25.37PRE1011.765961HUM73.35LAT-7.643596LON107.685667WS0.014C0400
ALT27.1TEM25.39PRE1011.735503HUM73.33LAT-7.643595LON107.685665WS0.06C0400
ALT27.2TEM25.42PRE1011.74999HUM73.27LAT-7.643594LON107.685665WS0.039C0400
ALT27.2TEM25.44PRE1011.797965HUM73.21LAT-7.643594LON107.685665WS0.064C0400

DATA - Notepad

File Edit Format View Help

ALT27.1TEM25.84PRE1011.791096HUM71.9LAT-7.643597LON107.685668WS0.049C0400
ALT27.1TEM25.87PRE1011.863136HUM71.79LAT-7.643598LON107.685667WS0.006C0400
ALT27TEM25.91PRE1011.846975HUM71.66LAT-7.643598LON107.685667WS0.027C0400
ALT27TEM25.91PRE1011.860349HUM71.56LAT-7.643598LON107.685668WS0.031C0400
ALT27TEM25.93PRE1011.878552HUM71.43LAT-7.643598LON107.685668WS0.056C0400
ALT27TEM25.97PRE1011.868553HUM71.31LAT-7.643598LON107.685668WS0.027C0400
ALT26.8TEM25.98PRE1011.859977HUM71.21LAT-7.643597LON107.685668WS0.081C0400
ALT26.5TEM26.02PRE1011.844689HUM71.18LAT-7.643596LON107.685668WS0.052C0400
ALT26.3TEM26.03PRE1011.840032HUM71.06LAT-7.643596LON107.685668WS0.037C0400
ALT26TEM26.05PRE1011.879435HUM70.98LAT-7.643596LON107.68567WS0.039C0400
ALT25.9TEM26.08PRE1011.862413HUM70.92LAT-7.643595LON107.68567WS0.027C0400
ALT25.8TEM26.09PRE1011.879383HUM70.79LAT-7.643595LON107.685669WS0.056C0400
ALT25.8TEM26.12PRE1011.837423HUM70.71LAT-7.643594LON107.685668WS0.031C0400
ALT25.9TEM26.13PRE1011.851863HUM70.66LAT-7.643593LON107.685666WS0.054C0400
ALT26TEM26.16PRE1011.863222HUM70.63LAT-7.643593LON107.685665WS0.038C0400
ALT26TEM26.18PRE1011.860951HUM70.63LAT-7.643594LON107.685664WS0.023C0400
ALT26TEM26.22PRE1011.866534HUM70.67LAT-7.643595LON107.685666WS0.025C0400
ALT26TEM26.24PRE1011.886869HUM70.51LAT-7.643597LON107.685668WS0.069C0400
ALT26TEM26.25PRE1011.88462HUM70.43LAT-7.643597LON107.68567WS0.052C0400
ALT25.9TEM26.26PRE1011.884232HUM70.38LAT-7.643597LON107.685671WS0.065C0400
ALT25.7TEM26.3PRE1011.881461HUM70.35LAT-7.643597LON107.685671WS0.018C0400
ALT25.5TEM26.32PRE1011.878053HUM70.27LAT-7.643597LON107.685671WS0.069C0400
ALT25.3TEM26.35PRE1011.879829HUM70.2LAT-7.643598LON107.685671WS0.052C0400
ALT25.3TEM26.36PRE1011.881923HUM70.15LAT-7.643598LON107.68567WS0.028C0400
ALT25TEM26.38PRE1011.843635HUM70.06LAT-7.643597LON107.685671WS0.076C0400
ALT24.7TEM26.41PRE1011.850395HUM69.95LAT-7.643597LON107.685673WS0.016C0400
ALT24.4TEM26.42PRE1011.869906HUM69.81LAT-7.643596LON107.685675WS0.026C0400
ALT24.4TEM26.45PRE1011.85055HUM69.8LAT-7.643595LON107.685675WS0.021C0400
ALT24.4TEM26.48PRE1011.859641HUM69.76LAT-7.643593LON107.685673WS0.011C0400
ALT24.4TEM26.5PRE1011.852361HUM69.72LAT-7.643593LON107.685673WS0.034C0400
ALT24.7TEM26.51PRE1011.89601HUM69.6LAT-7.643592LON107.685671WS0.031C0400
ALT25.1TEM26.54PRE1011.881652HUM69.49LAT-7.643591LON107.68567WS0.061C0400
ALT25.4TEM26.56PRE1011.86357HUM69.41LAT-7.64359LON107.68567WS0.052C0400
ALT25.5TEM26.58PRE1011.906417HUM69.38LAT-7.643591LON107.685671WS0.019C0400
ALT25.4TEM26.62PRE1011.905247HUM69.29LAT-7.643592LON107.685674WS0.025C0400
ALT25.4TEM26.63PRE1011.88557HUM69.19LAT-7.643591LON107.685676WS0.011C0400
ALT25.4TEM26.65PRE1011.897314HUM69.09LAT-7.643591LON107.685677WS0.021C0400

DATA - Notepad

File Edit Format View Help

ALT62.6TEM28.43PRE1011.187021HUM61.96LAT-7.643489LON107.685172WS5.363C0400
ALT100.3TEM28.33PRE1007.123381HUM61.85LAT-7.643398LON107.684695WS9.583C0400
ALT136.2TEM28.21PRE1002.916871HUM61.7LAT-7.643502LON107.68417WS7.685C0400
ALT177.1TEM28.08PRE998.751342HUM61.47LAT-7.643326LON107.683712WS11.455C0400
ALT214.8TEM27.95PRE994.439524HUM61.26LAT-7.643388LON107.683209WS5.424C0400
ALT255.3TEM27.78PRE990.156596HUM61.31LAT-7.643369LON107.682643WS12.633C0400
ALT299.4TEM27.66PRE985.51539HUM60.95LAT-7.643339LON107.682122WS9.265C0400
ALT338.8TEM27.5PRE980.734941HUM61.26LAT-7.643115LON107.681481WS12.546C0400
ALT596TEM26.52PRE951.762965HUM60.46LAT-7.642854LON107.676708WS12.695C0400
ALT667.1TEM26.15PRE944.17511HUM60.11LAT-7.642754LON107.675307WS12.958C0400
ALT700.3TEM25.98PRE940.372167HUM60.01LAT-7.642715LON107.674626WS12.994C0400
ALT735.4TEM25.83PRE936.625603HUM60.5LAT-7.642621LON107.673949WS12.076C0400
ALT770.8TEM25.65PRE932.883706HUM60.82LAT-7.642584LON107.673323WS11.005C0400
ALT807.5TEM25.56PRE929.02892HUM60.58LAT-7.642469LON107.672656WS11.859C0400
ALT844TEM25.45PRE925.107782HUM60.36LAT-7.642325LON107.67206WS10.684C0400
ALT878.3TEM25.33PRE921.327257HUM59.31LAT-7.642168LON107.671426WS12.526C0400
ALT914.7TEM25.13PRE917.552735HUM59.55LAT-7.642051LON107.670848WS10.303C0400
ALT949.6TEM24.97PRE913.737692HUM59.55LAT-7.641853LON107.670297WS12.206C0400
ALT985.4TEM24.87PRE910.074586HUM59.26LAT-7.641665LON107.669686WS12.312C0400
ALT1021TEM24.78PRE906.391535HUM58.81LAT-7.641469LON107.669111WS11.754C0400
ALT1054.3TEM24.56PRE902.732592HUM57.98LAT-7.641291LON107.668421WS10.826C0400
ALT1087TEM24.39PRE899.249649HUM58.42LAT-7.641086LON107.668003WS9.983C0400
ALT1121.2TEM24.23PRE895.675441HUM58.67LAT-7.640892LON107.667473WS9.17C0400
ALT1153.2TEM24.1PRE892.232031HUM59.02LAT-7.640661LON107.666997WS10.119C0400
ALT1186.9TEM23.97PRE889.003421HUM59.28LAT-7.64049LON107.666467WS10.353C0400
ALT1218.7TEM23.8PRE885.601119HUM59.44LAT-7.64035LON107.665933WS11.294C0400
ALT1253.1TEM23.61PRE882.282031HUM59.76LAT-7.640251LON107.66538WS9.819C0400
ALT1288.7TEM23.45PRE878.806214HUM59.92LAT-7.6401LON107.664862WS9.081C0400
ALT1326.5TEM23.35PRE875.047741HUM60.54LAT-7.640062LON107.66433WS10.405C0400
ALT1362.1TEM23.22PRE871.280723HUM61.03LAT-7.640107LON107.663844WS8.053C0400
ALT1398.9TEM23.12PRE867.705685HUM60.84LAT-7.64011LON107.663363WS10.416C0400
ALT1436.6TEM22.94PRE863.828496HUM60.95LAT-7.640154LON107.662829WS9.244C0400
ALT1471.2TEM22.82PRE860.094012HUM60.98LAT-7.640225LON107.662391WS6.36C0400
ALT1507.1TEM22.65PRE856.810118HUM61.13LAT-7.640323LON107.661909WS10.462C0400
ALT1542.9TEM22.43PRE853.193221HUM61.04LAT-7.640398LON107.661422WS8.848C0400
ALT1577.4TEM22.21PRE849.712178HUM60.93LAT-7.640425LON107.660952WS9.536C0400
ALT1613.9TEM22.05PRE846.289361HUM61.57LAT-7.640532LON107.660475WS8.146C0400

<

DATA - Notepad

File Edit Format View Help

ALT4381.9TEM12.41PRE607.625478HUM39.32LAT-7.664228LON107.622374WS10.659C0400
ALT4823.3TEM10.04PRE575.59482HUM23.98LAT-7.668586LON107.61484WS16.644C0400
ALT4863.6TEM9.81PRE572.78793HUM20.63LAT-7.669059LON107.614005WS17.693C0400
ALT4949.2TEM9.52PRE566.940432HUM14.88LAT-7.670076LON107.612468WS15.743C0400
ALT4992.7TEM9.29PRE563.883834HUM14.19LAT-7.670504LON107.611746WS14.7C0400
ALT5080.2TEM9.07PRE557.882083HUM18.26LAT-7.671411LON107.610439WS13.806C0400
ALT5125.8TEM8.98PRE554.772703HUM20.39LAT-7.67182LON107.609828WS13.495C0400
ALT5597TEM8.16PRE523.341286HUM21.71LAT-7.674543LON107.605437WS8.855C0400
ALT6222.8TEM5.84PRE483.038785HUM15.93LAT-7.675904LON107.600696WS5.1C0400
ALT6311.5TEM5.43PRE477.534648HUM15.64LAT-7.676033LON107.600196WS5.212C0400
ALT6355.7TEM5.25PRE474.887995HUM15.43LAT-7.67611LON107.59986WS6.636C0400
ALT6863.9TEM2.57PRE444.336346HUM6.37LAT-7.675782LON107.593807WS9.103C0400
ALT7383.4TEM0.25PRE415.195645HUM5.21LAT-7.675633LON107.58715WS8.73C0400
ALT7674.5TEM-0.75PRE399.765178HUM1.45LAT-7.674495LON107.584239WS9.151C0400
ALT7851.9TEM-1.45PRE390.57831HUM-0.22LAT-7.673539LON107.58259WS9.151C0400
ALT7944.8TEM-1.69PRE385.933346HUM-0.65LAT-7.673083LON107.581779WS8.555C0400
ALT7989.6TEM-1.86PRE383.5945HUM-0.87LAT-7.672852LON107.581355WS9.293C0400
ALT8415.1TEM-3.37PRE362.478753HUM-2.16LAT-7.670643LON107.577544WS9.128C0400
ALT8461.1TEM-3.6PRE360.162014HUM-2.27LAT-7.670383LON107.577109WS9.099C0400
ALT9026.9TEM-6.21PRE333.40938HUM-4.25LAT-7.668326LON107.571741WS9.674C0400
ALT9072.8TEM-6.44PRE331.229836HUM-4.39LAT-7.66819LON107.571258WS9.579C0400
ALT10113.7TEM-11.81PRE286.156579HUM-3.94LAT-7.668443LON107.558902WS13.162C0400
ALT10158.6TEM-12.09PRE284.136986HUM-3.77LAT-7.668583LON107.558243WS11.543C0400
ALT10353.3TEM-13.15PRE276.427444HUM-2.55LAT-7.669086LON107.55559WS12.959C0400
ALT10553.6TEM-14.3PRE268.566631HUM-1.19LAT-7.669734LON107.553037WS10.051C0400
ALT10426.1TEM-15.24PRE271.058051HUM4.39LAT-7.671627LON107.54579WS17.937C0400
ALT10398.3TEM-15.35PRE272.231571HUM4.53LAT-7.671957LON107.544929WS11.734C0400
ALT10310.8TEM-15.65PRE275.685332HUM4.91LAT-7.672287LON107.54316WS12.515C0400
ALT10283.9TEM-15.75PRE276.733473HUM4.99LAT-7.67234LON107.54316WS12.515C0400
ALT9842.8TEM-17.1PRE294.809766HUM4.15LAT-7.674426LON107.531983WS17.242C0400
ALT9471TEM-17.88PRE310.793862HUM1.21LAT-7.67521LON107.524105WS14.464C0400
ALT9269.4TEM-17.94PRE319.752359HUM0.57LAT-7.675161LON107.520473WS4.281C0400
ALT8827.4TEM-16.87PRE340.073026HUM-0.38LAT-7.67316LON107.511232WS2.343C0400
ALT8783.3TEM-16.8PRE342.114738HUM-0.52LAT-7.672735LON107.510215WS8.688C0400
ALT8528TEM-16.11PRE354.311496HUM-0.16LAT-7.670714LON107.510215WS8.688C0400
ALT8410.5TEM-15.79PRE360.089981HUM0.99LAT-7.66973LON107.5021WS9.869C0400
ALT8211.2TEM-14.94PRE369.868771HUM2.33LAT-7.667665LON107.49775WS9.869C0400

DATA - Notepad

File Edit Format View Help

ALT2406.3TEM15.01PRE767.733993HUM68.69LAT-7.725473LON107.341757WS7.126C0400
ALT2373.6TEM15.24PRE770.614504HUM69.25LAT-7.725999LON107.340868WS11.78C0400
ALT2357.8TEM15.36PRE772.129783HUM69.46LAT-7.726403LON107.340374WS11.509C0400
ALT2342.9TEM15.48PRE773.55019HUM69.48LAT-7.726846LON107.340025WS8.767C0400
ALT2311.7TEM15.72PRE776.387714HUM69.19LAT-7.727411LON107.339573WS6.449C0400
ALT2240.2TEM16.36PRE783.001854HUM69.15LAT-7.728713LON107.337641WS8.804C0400
ALT2175TEM16.75PRE788.883006HUM67.36LAT-7.72985LON107.337641WS8.804C0400
ALT2158.6TEM16.8PRE790.418147HUM67.3LAT-7.73019LON107.335387WS11.742C0400
ALT2141.3TEM16.85PRE792.005079HUM66.92LAT-7.730572LON107.334793WS13.819C0400
ALT2124.1TEM16.89PRE793.59693HUM66.6LAT-7.730767LON107.33411WS11.903C0400
ALT2108.5TEM16.91PRE795.097853HUM66.57LAT-7.730934LON107.333495WS13.423C0400
ALT1962.2TEM16.9PRE809.192708HUM69.61LAT-7.733429LON107.328131WS9.498C0400
ALT1945TEM16.94PRE810.767825HUM70.11LAT-7.733577LON107.327656WS9.443C0400
ALT1911.3TEM17.03PRE813.921123HUM70.72LAT-7.733823LON107.326344WS13.554C0400
ALT1894.6TEM17.08PRE815.450436HUM70.94LAT-7.734125LON107.32575WS11.222C0400
ALT1862.1TEM17.17PRE818.513596HUM71.22LAT-7.734476LON107.324777WS9.506C0400
ALT1797.9TEM17.43PRE824.611464HUM72.12LAT-7.735149LON107.322344WS9.092C0400
ALT1738.8TEM17.8PRE830.406645HUM72.9LAT-7.73556LON107.319781WS13.515C0400
ALT1709.1TEM17.94PRE833.341467HUM71.61LAT-7.735968LON107.318459WS10.411C0400
ALT1679.2TEM18.05PRE836.252156HUM71.39LAT-7.736073LON107.317373WS13.254C0400
ALT1665.2TEM18.09PRE837.645353HUM71.39LAT-7.73619LON107.31665WS13.362C0400
ALT1623.7TEM18.22PRE841.796982HUM71.75LAT-7.736806LON107.314893WS8.526C0400
ALT1597TEM18.34PRE844.507775HUM72.37LAT-7.736823LON107.313696WS13.486C0400
ALT1582.7TEM18.39PRE845.830011HUM72.44LAT-7.736997LON107.3129WS13.486C0400
ALT1527.8TEM18.55PRE851.340629HUM72.53LAT-7.737316LON107.310828WS13.332C0400
ALT1489.5TEM18.82PRE855.193989HUM73.59LAT-7.737328LON107.308714WS13.317C0400
ALT1437.4TEM19.2PRE860.525308HUM72.5LAT-7.73748LON107.306324WS12.64C0400
ALT1424.4TEM19.31PRE861.855136HUM72.74LAT-7.737462LON107.305659WS12.949C0400
ALT1397.4TEM19.47PRE864.576579HUM71.8LAT-7.737433LON107.304238WS13.077C0400
ALT1289.3TEM20.18PRE875.113556HUM70.89LAT-7.737214LON107.299413WS12.594C0400
ALT1276.1TEM20.21PRE876.496084HUM70.52LAT-7.737236LON107.298749WS12.485C0400
ALT1263.3TEM20.26PRE877.822686HUM70.53LAT-7.737278LON107.298084WS12.027C0400
ALT1250.8TEM20.29PRE879.079071HUM70.45LAT-7.737338LON107.297476WS9.717C0400
ALT1226.3TEM20.37PRE881.637794HUM70.5LAT-7.737158LON107.296588WS10.742C0400
ALT940.2TEM21.85PRE911.340458HUM71.64LAT-7.73302LON107.283167WS14.787C0400
ALT848.2TEM22.2PRE921.078169HUM71.74LAT-7.731797LON107.278347WS11.501C0400
ALT834.4TEM22.23PRE922.491656HUM71.78LAT-7.731703LON107.277705WS12.914C0400



SINGLE-CHIP USB TO UART BRIDGE

Single-Chip USB to UART Data Transfer

- Integrated USB transceiver; no external resistors required
- Integrated clock; no external crystal required
- Integrated 1024-Byte EEPROM for vendor ID, product ID, serial number, power descriptor, release number, and product description strings
- On-chip power-on reset circuit
- On-chip voltage regulator: 3.3 V output
- 100% pin and software compatible with CP2101

USB Function Controller

- USB Specification 2.0 compliant; full-speed (12 Mbps)
- USB suspend states supported via SUSPEND pins

Asynchronous Serial Data BUS (UART)

- All handshaking and modem interface signals
- Data formats supported:
 - Data bits: 5, 6, 7, and 8
 - Stop bits: 1, 1.5, and 2
 - Parity: odd, even, mark, space, no parity
- Baud rates: 300 bps to 1 Mbps
- 576 Byte receive buffer; 640 byte transmit buffer
- Hardware or X-On/X-Off handshaking supported
- Event character support
- Line break transmission

Virtual COM Port Device Drivers

- Works with existing COM Port PC applications
- Royalty-free distribution license
- Windows 98 SE/2000/XP
- MAC OS-9
- MAC OS-X
- Linux 2.40 and greater

USBXpress™ Direct Driver Support

Example Applications

- Upgrade of RS-232 legacy devices to USB
- Cellular phone USB interface cable
- PDA USB interface cable
- USB to RS-232 serial adapter

Supply Voltage

- Self-powered: 3.0 to 3.6 V
- USB bus powered: 4.0 to 5.25 V

Package

- Lead free 28-pin MLP (5 x 5 mm)

Ordering Part Number

- CP2102-GM

Temperature Range: -40 to +85 °C

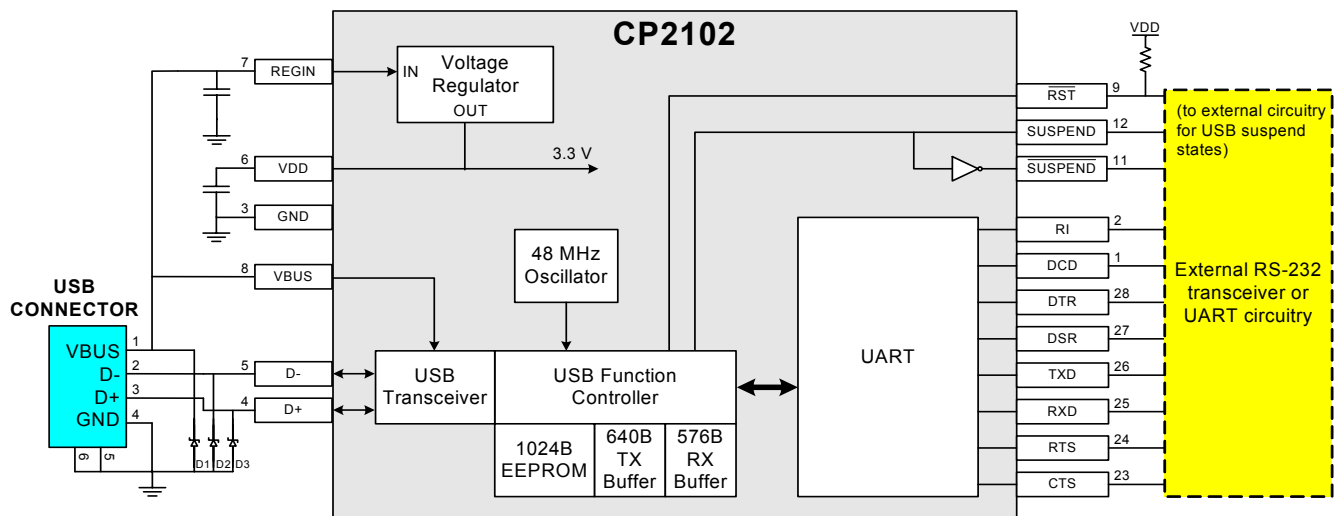


Figure 1. Example System Diagram

TABLE OF CONTENTS

<u>Section</u>	<u>Page</u>
1. System Overview	4
2. Absolute Maximum Ratings	5
3. Global DC Electrical Characteristics	5
4. Pinout and Package Definitions	6
5. USB Function Controller and Transceiver	11
6. Asynchronous Serial Data Bus (UART) Interface	12
7. Internal EEPROM	12
8. Virtual Com Port Device Drivers	13
9. USBXpress Direct Driver Support	13
10. Voltage Regulator	13
Contact Information	16



1. System Overview

The CP2102 is a highly-integrated USB-to-UART Bridge Controller providing a simple solution for updating RS-232 designs to USB using a minimum of components and PCB space. The CP2102 includes a USB 2.0 full-speed function controller, USB transceiver, oscillator, EEPROM, and asynchronous serial data bus (UART) with full modem control signals in a compact 5 x 5 mm MLP-28 package. No other external USB components are required.

The on-chip EEPROM may be used to customize the USB Vendor ID, Product ID, Product Description String, Power Descriptor, Device Release Number, and Device Serial Number as desired for OEM applications. The EEPROM is programmed on-board via the USB allowing the programming step to be easily integrated into the product manufacturing and testing process.

Royalty-free Virtual COM Port (VCP) device drivers provided by Silicon Laboratories allow a CP2102-based product to appear as a COM port to PC applications. The CP2102 UART interface implements all RS-232 signals, including control and handshaking signals, so existing system firmware does not need to be modified. In many existing RS-232 designs, all that is required to update the design from RS-232 to USB is to replace the RS-232 level-translator with the CP2102.

An evaluation kit for the CP2102 (Part Number: CP2102EK) is available. It includes a CP2102-based USB-to-UART/RS-232 evaluation board, a complete set of VCP device drivers, USB and RS-232 cables, and full documentation. Contact a Silicon Labs' sales representatives or go to www.silabs.com to order the CP2102 Evaluation Kit.

2. Absolute Maximum Ratings

Table 1. Absolute Maximum Ratings

Parameter	Conditions	Min	Typ	Max	Units
Ambient temperature under bias		-55	—	125	°C
Storage Temperature		-65	—	150	°C
Voltage on any I/O Pin or $\overline{\text{RST}}$ with respect to GND		-0.3	—	5.8	V
Voltage on V_{DD} with respect to GND		-0.3	—	4.2	V
Maximum Total current through V_{DD} and GND		—	—	500	mA
Maximum output current sunk by $\overline{\text{RST}}$ or any I/O pin		—	—	100	mA

Note: Stresses above those listed may cause permanent damage to the device. This is a stress rating only, and functional operation of the devices at or exceeding the conditions in the operation listings of this specification is not implied. Exposure to maximum rating conditions for extended periods may affect device reliability.

3. Global DC Electrical Characteristics

Table 2. Global DC Electrical Characteristics

$V_{\text{DD}} = 2.7$ to 3.6 V, -40 to $+85$ °C unless otherwise specified.

Parameter	Conditions	Min	Typ	Max	Units
Supply Voltage		3.0	3.3	3.6	V
Supply Current	$V_{\text{DD}} = 3.3$ V	—	26	—	mA
Supply Current in Suspend	$V_{\text{DD}} = 3.3$ V	—	330	—	μA
Specified Operating Temperature Range		-40	—	+85	°C

Table 3. UART and Suspend I/O DC Electrical Characteristics

$V_{\text{DD}} = 2.7$ to 3.6 V, -40 to $+85$ °C unless otherwise specified.

Parameters	Conditions	Min	Typ	Max	UNITS
Output High Voltage	$I_{\text{OH}} = -3$ mA	$V_{\text{DD}} - 0.7$	—	—	V
	$I_{\text{OH}} = -10$ μA	$V_{\text{DD}} - 0.1$	—	—	
	$I_{\text{OH}} = -10$ mA	—	$V_{\text{DD}} - 0.8$	—	
Output Low Voltage	$I_{\text{OL}} = 8.5$ mA	—	—	0.6	V
	$I_{\text{OL}} = 10$ μA	—	—	0.1	
	$I_{\text{OL}} = 25$ mA	—	1.0	—	
Input High Voltage		2.0	—	—	V
Input Low Voltage		—	—	0.8	V
Input Leakage Current		—	25	50	μA

4. Pinout and Package Definitions

Table 4. CP2102 Pin Definitions

Name	Pin #	Type	Description
V _{DD}	6	Power In	3.0–3.6 V Power Supply Voltage Input.
		Power Out	3.3 V Voltage Regulator Output. See <PDF link>Section 10.
GND	3		Ground
RST	9	D I/O	Device Reset. Open-drain output of internal POR or V _{DD} monitor. An external source can initiate a system reset by driving this pin low for at least 15 μs.
REGIN	7	Power In	5 V Regulator Input. This pin is the input to the on-chip voltage regulator.
VBUS	8	D In	VBUS Sense Input. This pin should be connected to the VBUS signal of a USB network. A 5 V signal on this pin indicates a USB network connection.
D+	4	D I/O	USB D+
D–	5	D I/O	USB D–
TXD	26	D Out	Asynchronous data output (UART Transmit)
RXD	25	D In	Asynchronous data input (UART Receive)
CTS	23*	D In	Clear To Send control input (active low)
RTS	24*	D Out	Ready to Send control output (active low)
DSR	27*	D in	Data Set Ready control input (active low)
DTR	28*	D Out	Data Terminal Ready control output (active low)
DCD	1*	D In	Data Carrier Detect control input (active low)
RI	2*	D In	Ring Indicator control input (active low)
SUSPEND	12*	D Out	This pin is driven high when the CP2102 enters the USB suspend state.
$\overline{\text{SUSPEND}}$	11*	D Out	This pin is driven low when the CP2102 enters the USB suspend state.
NC	10, 13–22		These pins should be left unconnected or tied to V _{DD} .

***Note:** Pins can be left unconnected when not used.

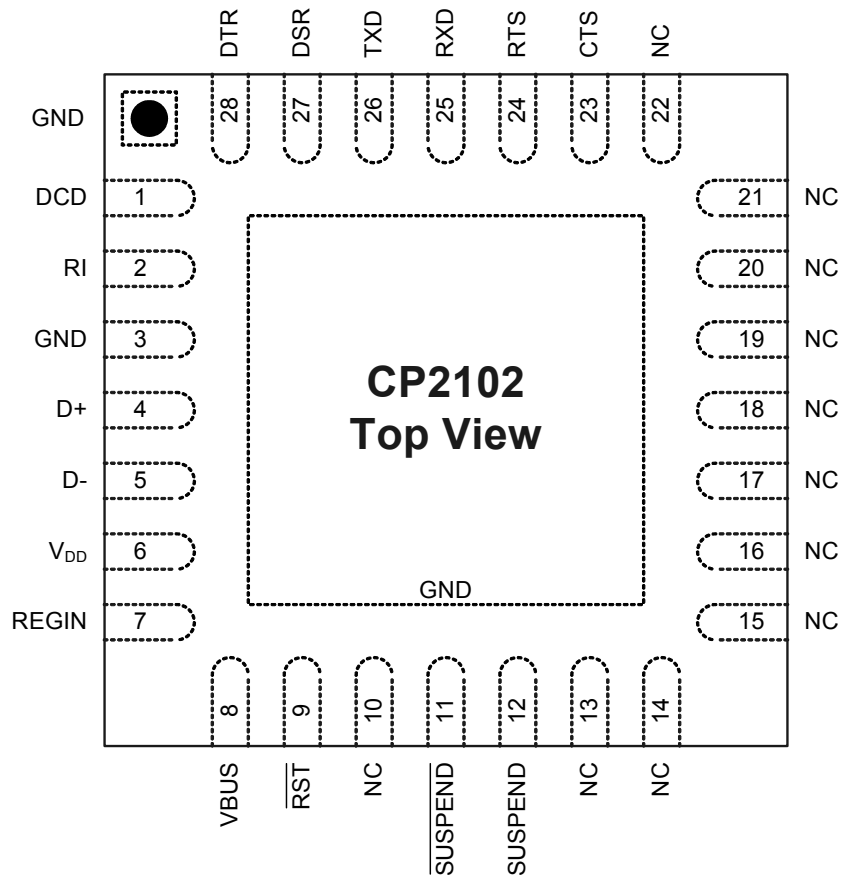


Figure 2. MLP-28 Pinout Diagram (Top View)

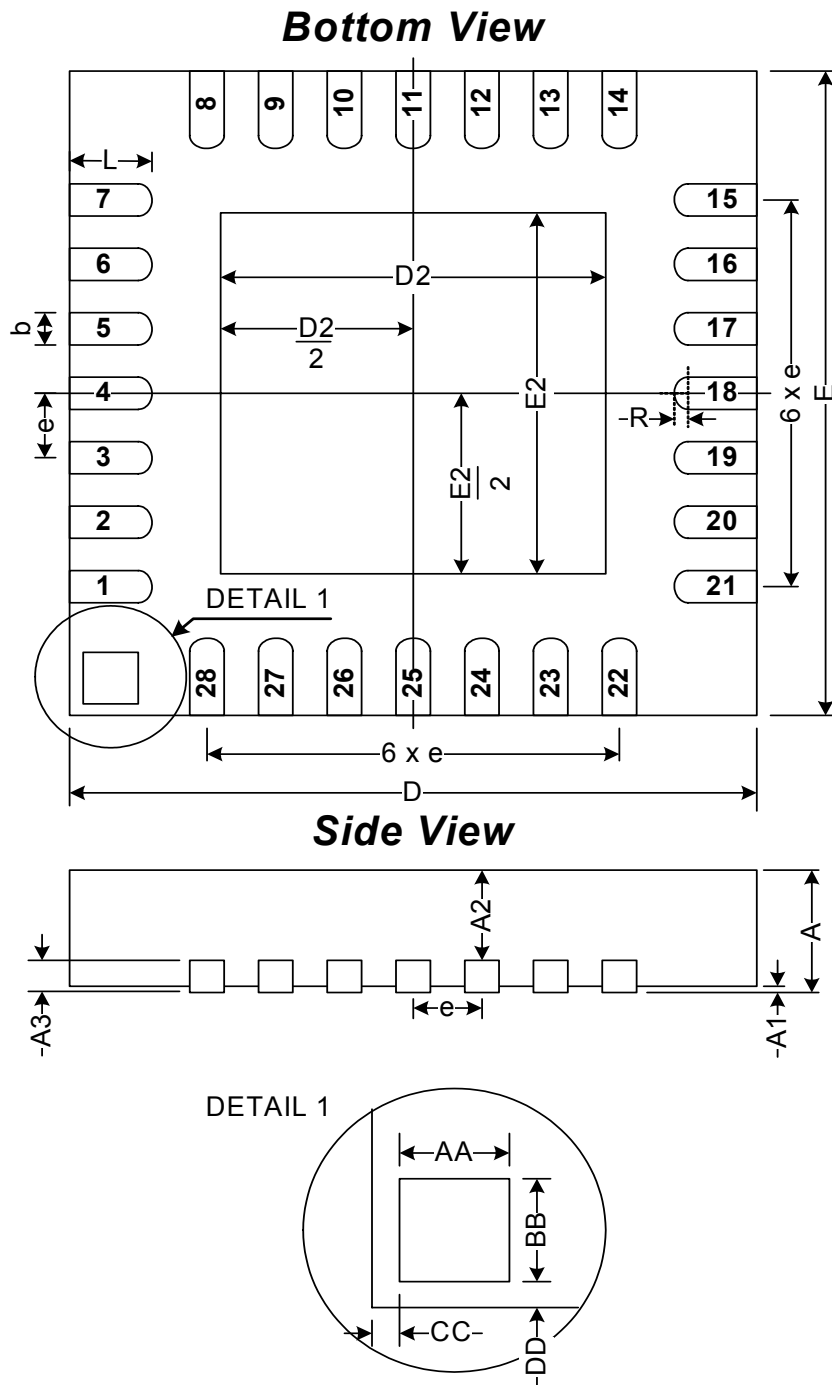


Table 5. MLP-28 Package Dimensions

	MM		
	MIN	TYP	MAX
A	0.80	0.90	1.00
A1	0	0.02	0.05
A2	0	0.65	1.00
A3	—	0.25	—
b	0.18	0.23	0.30
D	—	5.00	—
D2	2.90	3.15	3.35
E	—	5.00	—
E2	2.90	3.15	3.35
e	—	0.5	—
L	0.45	0.55	0.65
N	—	28	—
ND	—	7	—
NE	—	7	—
R	0.09	—	—
AA	—	0.435	—
BB	—	0.435	—
CC	—	0.18	—
DD	—	0.18	—

Figure 3. MLP-28 Package Drawing

Top View

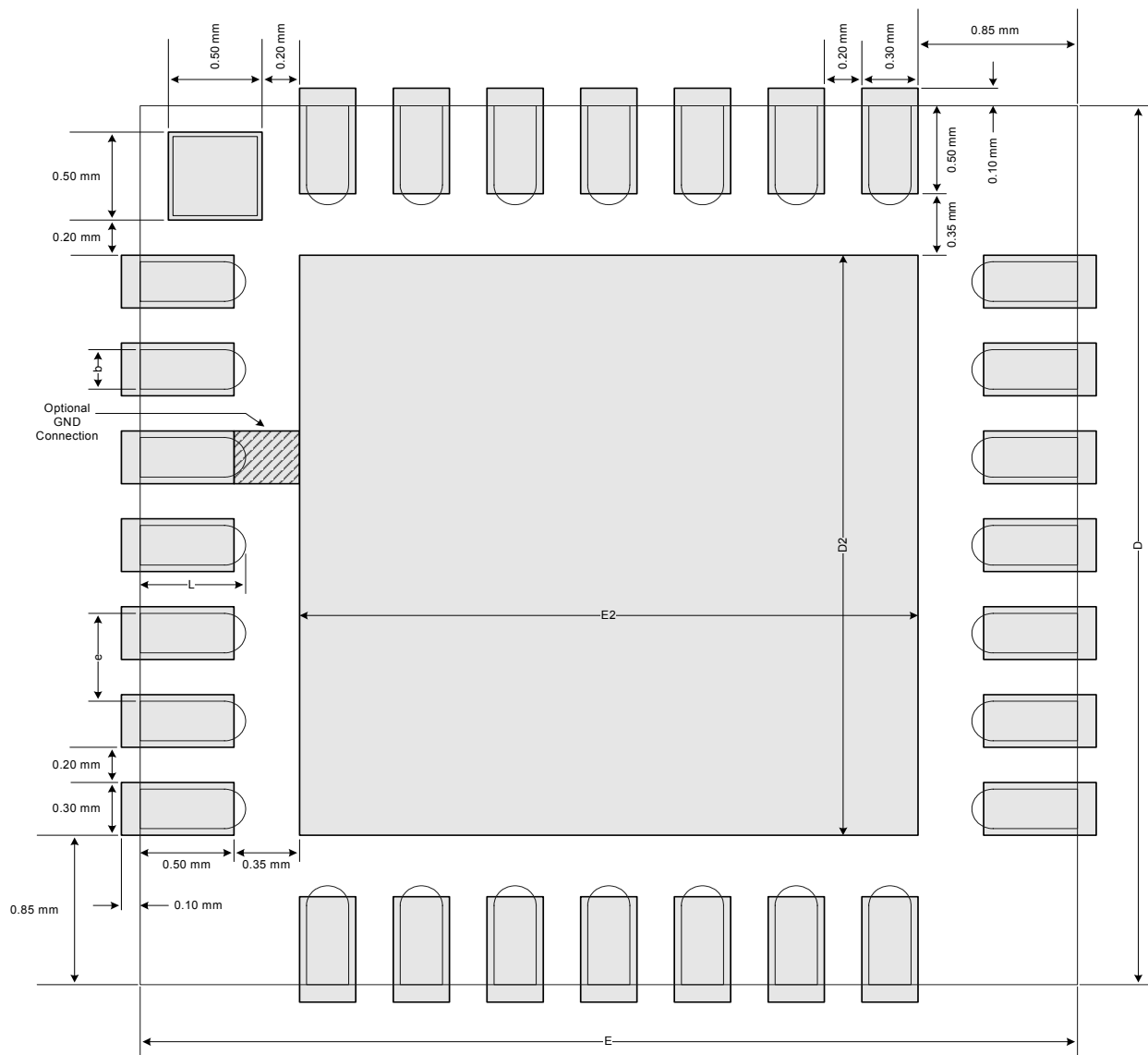


Figure 4. Typical MLP-28 Landing Diagram

Top View

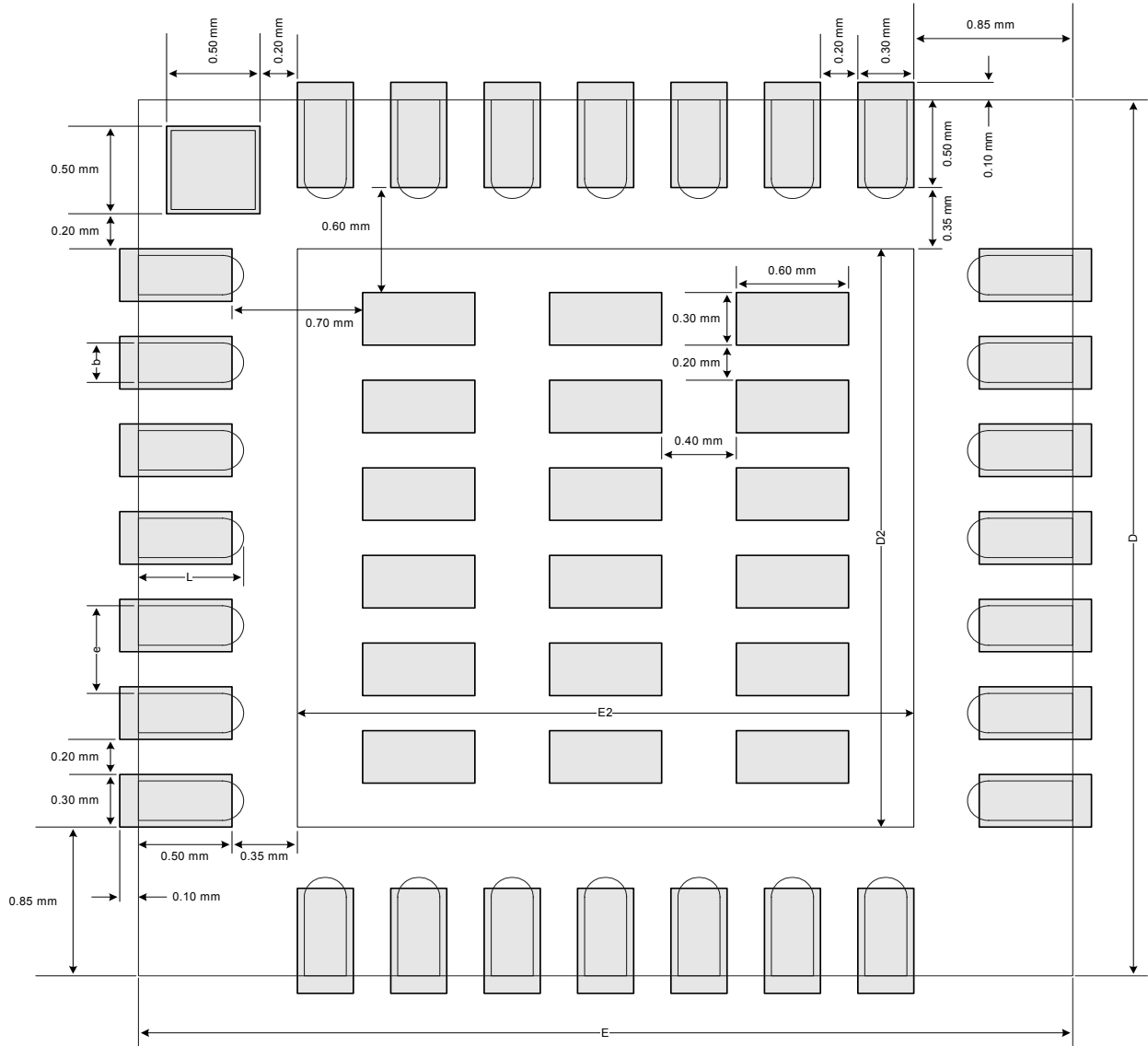


Figure 5. Typical MLP-28 Solder Paste Diagram

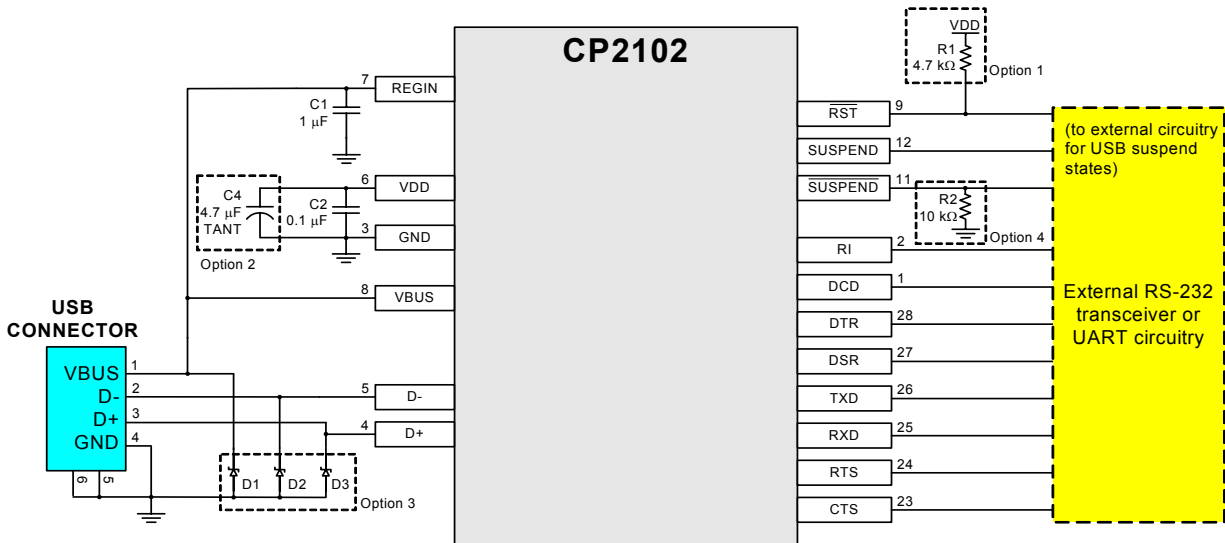
5. USB Function Controller and Transceiver

The Universal Serial Bus function controller in the CP2102 is a USB 2.0 compliant full-speed device with integrated transceiver and on-chip matching and pull-up resistors. The USB function controller manages all data transfers between the USB and the UART as well as command requests generated by the USB host controller and commands for controlling the function of the UART.

The USB Suspend and Resume signals are supported for power management of both the CP2102 device as well as external circuitry. The CP2102 will enter Suspend mode when Suspend signaling is detected on the bus. On entering Suspend mode, the CP2102 asserts the $\overline{\text{SUSPEND}}$ and $\overline{\text{SUSPEND}}$ signals. $\overline{\text{SUSPEND}}$ and $\overline{\text{SUSPEND}}$ are also asserted after a CP2102 reset until device configuration during USB Enumeration is complete.

The CP2102 exits the Suspend mode when any of the following occur: (1) Resume signaling is detected or generated, (2) a USB Reset signal is detected, or (3) a device reset occurs. On exit of Suspend mode, the $\overline{\text{SUSPEND}}$ and $\overline{\text{SUSPEND}}$ signals are de-asserted.

Both $\overline{\text{SUSPEND}}$ and $\overline{\text{SUSPEND}}$ temporarily float high during a CP2102 reset. If this behavior is undesirable, a strong pulldown (10 k Ω) can be used to ensure $\overline{\text{SUSPEND}}$ remains low during reset. See Figure 6 for other recommended options.



Option 1: A 4.7 k Ω pull-up resistor can be added to increase noise immunity.

Option 2: A 4.7 μF tantalum capacitor can be added if powering other devices from the on-chip regulator.

Option 3: Avalanche transient voltage suppression diodes should be added for ESD protection.

Use Littlefuse p/n SP0503BAHT or equivalent.

Option 4: 10 k Ω resistor to ground to hold $\overline{\text{SUSPEND}}$ low on initial power on or device reset.

Figure 6. Typical Connection Diagram

6. Asynchronous Serial Data Bus (UART) Interface

The CP2102 UART interface consists of the TX (transmit) and RX (receive) data signals as well as the RTS, CTS, DSR, DTR, DCD, and RI control signals. The UART supports RTS/CTS, DSR/DTR, and X-On/X-Off handshaking.

The UART is programmable to support a variety of data formats and baud rates. The data format and baud rate programmed into the UART is set during COM port configuration on the PC. The data formats and baud rates available are listed in Table 6.

Table 6. Data Formats and Baud Rates

Data Bits	5, 6, 7, and 8
Stop Bits	1, 1.5 ¹ , and 2
Parity Type	None, Even, Odd, Mark, Space
Baud Rates ²	300, 600, 1200, 1800, 2400, 4000, 4800, 7200, 9600, 14400, 16000, 19200, 28800, 38400, 51200, 56000, 57600, 64000, 76800, 115200, 128000, 153600, 230400, 250000, 256000, 460800, 500000, 576000, 921600 ³
Notes:	
<ol style="list-style-type: none"> 1. 5-bit only. 2. Additional baud rates are supported. See "AN205". 3. 7 or 8 data bits only. 	

7. Internal EEPROM

The CP2102 includes an internal EEPROM that may be used to customize the USB Vendor ID, Product ID, Product Description String, Power Descriptor, Device Release Number, and Device Serial Number as desired for OEM applications. Customization of the USB configuration data is optional. If the EEPROM is not programmed with OEM data, the default configuration data shown in Table 7 is used. However, a unique serial number is required for OEM applications in which it is possible for multiple CP2102-based devices to be connected to the same PC.

The internal EEPROM is programmed via the USB. This allows the OEM's USB configuration data and serial number to be written to the CP2102 on-board during the manufacturing and testing process. A stand-alone utility for programming the internal EEPROM is available from Silicon Laboratories. A library of routines provided in the form of a Windows[®] DLL is also available. This library can be used to integrate the EEPROM programming step into custom software used by the OEM to streamline testing and serial number management during manufacturing. The EEPROM has a typical endurance of 100,000 write cycles with a data retention of 100 years.

USB descriptors can be locked to prevent future modification.

Table 7. Default USB Configuration Data

Name	Value
Vendor ID	10C4h
Product ID	EA60h
Power Descriptor (Attributes)	80h
Power Descriptor (Max. Power)	32h
Release Number	0100h
Serial Number	0001 (63 characters maximum)
Product Description String	"CP2102 USB to UART Bridge Controller" (126 characters maximum)

8. Virtual Com Port Device Drivers

The CP210x Virtual COM Port (VCP) device drivers allow a CP2102-based device to appear to the PC's application software as an additional COM port (in addition to any existing hardware COM ports). Application software running on the PC accesses the CP2102-based device as it would access a standard hardware COM port. However, actual data transfer between the PC and the CP2102 device is performed over the USB. Therefore, existing COM port applications may be used to transfer data via the USB to the CP2102-based systems without modifying the application. Contact Silicon Laboratories for the latest list of supported operating systems.

Note: Silicon Laboratories' VCP device drivers are required for device operation and are only distributed as part of the CP2102 Evaluation Kit (Part Number: CP2102EK). Contact any of Silicon Lab's sales representatives or go to www.silabs.com to order the CP2102 Evaluation Kit. The CP210x drivers and programming utilities are subject to change without notice. Subscription to the website "Auto Email Alert" system for automatic notification of updates and the use of the "Product Update Registration" service is recommended.

9. USBXpress Direct Driver Support

The Silicon Laboratories USBXpress for CP210x Development Kit provides an alternate solution for interfacing with CP210x devices than using the Virtual COM port. No Serial Port protocol expertise is required. Instead, a simple, high-level application program interface (API) is used to provide simpler CP210x connectivity and functionality.

The USBXpress for CP210x Development Kit includes Windows device drivers, Windows device driver installer and uninstallers, and a host interface function library (host API) provided in the form of a Windows Dynamic Link Library (DLL). The included device drivers and installation files support MS Windows 98SE/2000/XP.

10. Voltage Regulator

The CP2102 includes an on-chip 5 to 3 V voltage regulator. This allows the CP2102 to be configured as either a USB bus-powered device or a USB self-powered device. These configurations are shown in Figure 7 and Figure 8. When enabled, the 3 V voltage regulator output appears on the V_{DD} pin and can be used to power external 3 V devices. See Table 8 for the voltage regulator electrical characteristics.

Alternatively, if 3 V power is supplied to the V_{DD} pin, the CP2102 can function as a USB self-powered device with the voltage regulator disabled. For this configuration, it is recommended that the REGIN input be tied to the 3 V net to disable the voltage regulator. This configuration is shown in Figure 9.

The USB max power and power attributes descriptor must match the device power usage and configuration. See application note "AN144: CP210x Customization Guide" for information on how to customize USB descriptors for the CP2102.

Note: It is recommended that additional decoupling capacitance (e.g., 0.1 μ F in parallel with 1.0 μ F) be provided on the REGIN input.

Table 8. Voltage Regulator Electrical Specifications

–40 to +85 °C unless otherwise specified.

Parameter	Conditions	Min	Typ	Max	Units
Input Voltage Range		4.0	—	5.25	V
Output Voltage	Output Current = 1 to 100 mA*	3.0	3.3	3.6	V
VBUS Detection Input Threshold		1.0	1.8	4.0	V
Bias Current		—	90	—	μ A

***Note:** The maximum regulator supply current is 100 mA.

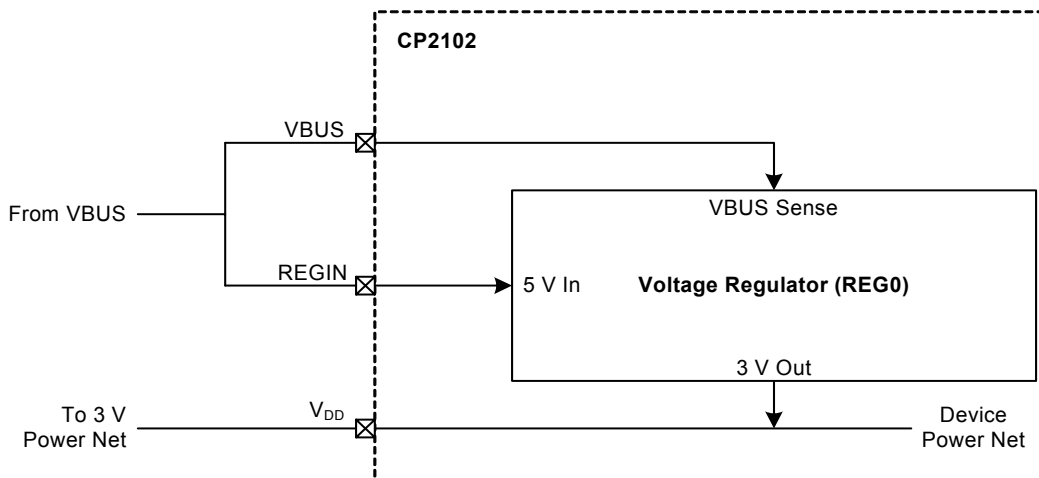


Figure 7. Configuration 1: USB Bus-Powered

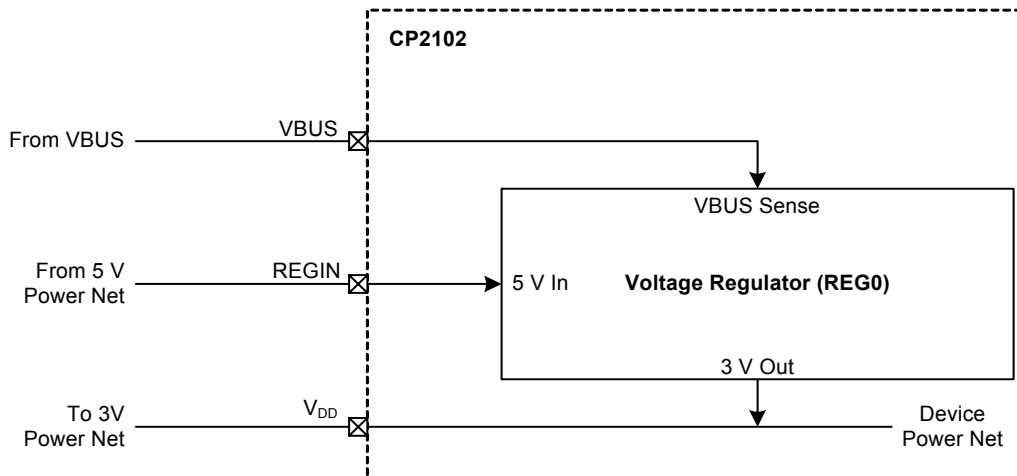


Figure 8. Configuration 2: USB Self-Powered

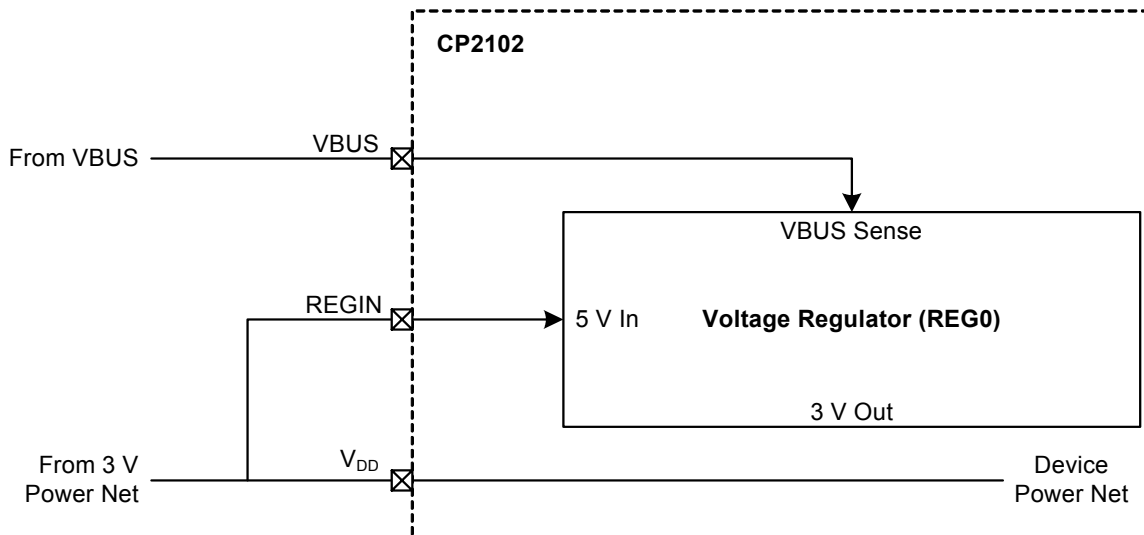


Figure 9. Configuration 3: USB Self-Powered, Regulator Bypassed

CONTACT INFORMATION

Silicon Laboratories Inc.

4635 Boston Lane
Austin, TX 78735
Tel: 1+(512) 416-8500
Fax: 1+(512) 416-9669
Toll Free: 1+(877) 444-3032
Email: MCUinfo@silabs.com
Internet: www.silabs.com

The information in this document is believed to be accurate in all respects at the time of publication but is subject to change without notice. Silicon Laboratories assumes no responsibility for errors and omissions, and disclaims responsibility for any consequences resulting from the use of information included herein. Additionally, Silicon Laboratories assumes no responsibility for the functioning of undescribed features or parameters. Silicon Laboratories reserves the right to make changes without further notice. Silicon Laboratories makes no warranty, representation or guarantee regarding the suitability of its products for any particular purpose, nor does Silicon Laboratories assume any liability arising out of the application or use of any product or circuit, and specifically disclaims any and all liability, including without limitation consequential or incidental damages. Silicon Laboratories products are not designed, intended, or authorized for use in applications intended to support or sustain life, or for any other application in which the failure of the Silicon Laboratories product could create a situation where personal injury or death may occur. Should Buyer purchase or use Silicon Laboratories products for any such unintended or unauthorized application, Buyer shall indemnify and hold Silicon Laboratories harmless against all claims and damages.

Silicon Laboratories, Silicon Labs, and USBXpress are trademarks of Silicon Laboratories Inc.

Other products or brandnames mentioned herein are trademarks or registered trademarks of their respective holders